

# SP-700SR Progressive Cavity Series

STANDARD's 700SR Series pumps are engineered to transfer viscous materials from drums and ToteTanks®. The progressive cavity design delivers a continuous flow of material with little product degradation. Pumps are available with TEFC and Hazardous Duty motors. Maximum viscosity is 25,000 cps (mPas).

## Common Applications

- Polymers
- Adhesives
- Paints
- Resins
- Oils & Greases
- Varnishes

## Technical Specifications

<b>Design</b>	Progressive Cavity / Positive Displacement	
<b>Max. Viscosity</b>	• 751 & 752 Series	25,000 cps (mPas)
	• 1851 Series	10,000 cps (mPas)
<b>Discharge Port</b>	1½" (38 mm) Hose Barb Optional 1.25" (32 mm)	
<b>Stator Materials</b>	PFTE or Buna	
<b>Mechanical Seal</b>	SiC/Viton®/SiC	
<b>Immersion Lengths</b>	27" (700 mm) 39" (1000 mm) 47" (1200 mm) Please add 5" (127 mm) to the immersion length of pump for the 752 Series pumps.	
<b>Wetted Material</b>	Tube & Rotor Assembly: Stainless Steel 316	
<b>Stator Material</b>	PTFE or Buna	
<b>Motor Drives</b>	SP-ENC Series	
<b>Fittings</b>	Threaded design enables operator to disassemble pump quickly for cleaning, maintenance and inspection	
<b>Max. Flow Rate</b>	• 1851 Series	45 LPM based on water
	• 751 & 752 Series	26 LPM based on water
<b>Max. Discharge Pressure</b>	• 751 & 1851 Series	6 bar
	• 752 Series	12 bar
<b>Max. Temperature</b>	• Teflon Stator	148°C
	• Buna Stator	85°C
<b>Max. Solid Size</b>	.25" (6 mm)	

## Benefits

- Easy To Clean & Maintain
- Interchangeable Motor Drives
- Continuous Flow
- Low Shearing Properties
- Threaded Components

### Motor Drives

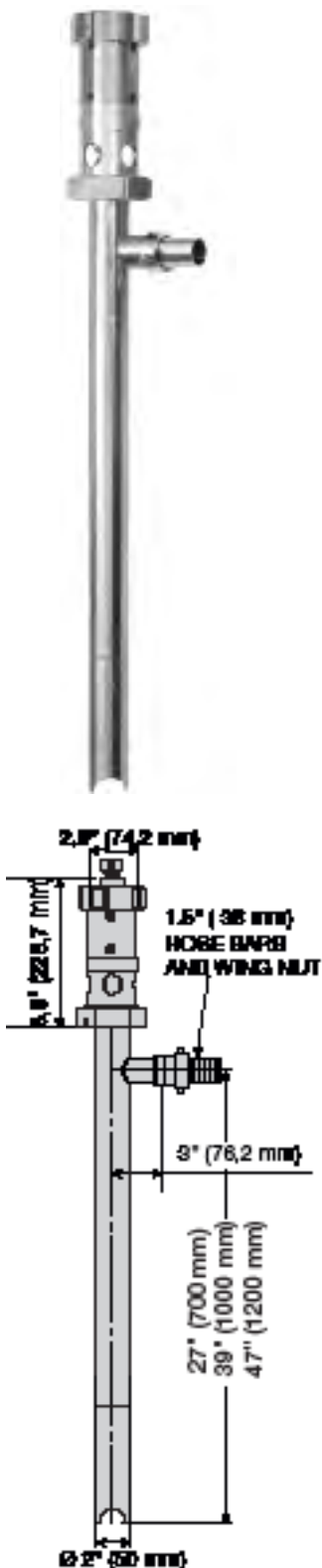


SP-ENC Series



SPE-950 Series

Note: Refer to page 9-10 for motor information



Note: This pump is intended for intermittent duty use only.  
Viton® is a registered trademark of DuPont Dow Elastomers.

