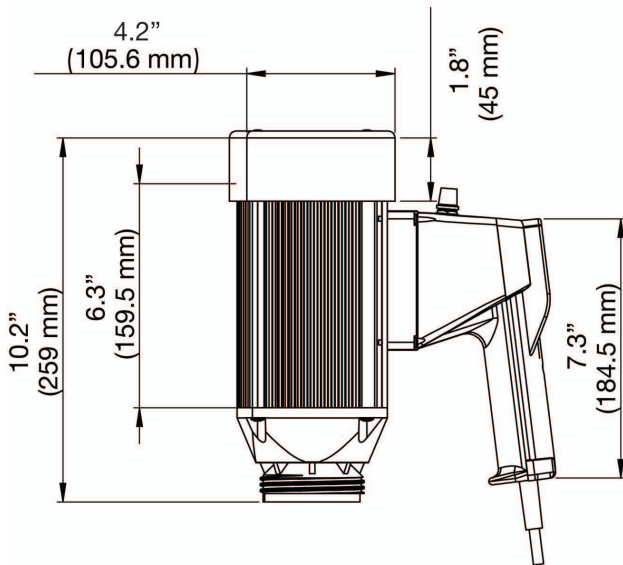




Technical Specifications

Enclosure:	TEFC (IP54)
Available Voltage:	110V or 220V
Horsepower (Watts):	1.1 (825)
Phase:	Single
Amps:	2.5 - 8 (varies by voltage)
Hertz:	50-60
Insulation Class:	F2
Certification:	ETL (110V) or CE (220V)
Housing Material:	Anodized Aluminum
Power Cord Length:	16 ft. (4,8 m)
Power Cord Plug Type:	NEMA 5-15-P (110V) or CEE 7/7 (220V)
Noise Level:	84 dBa
Low Voltage Release:	Only available on SP-ENC-2 and SP-ENC-2-V
Thermal Overload:	Yes
Variable Speed:	Only available on models ending in V or VNL
Shipping Weight:	13 lbs (5,9 kg)



WARNING: Not suitable for pumping flammable or combustible liquids or use in a hazardous duty environment.