

Technical Specifications

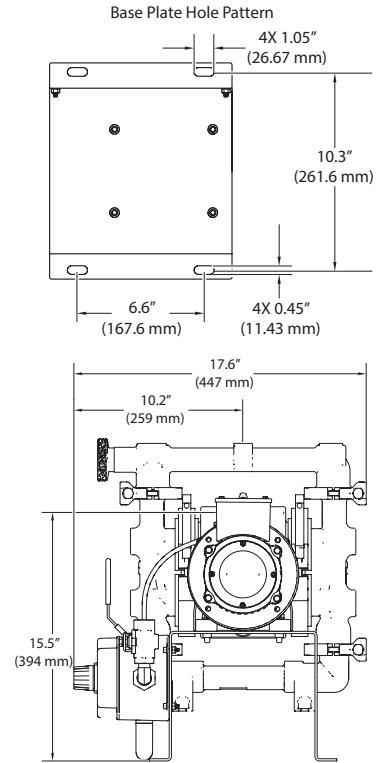
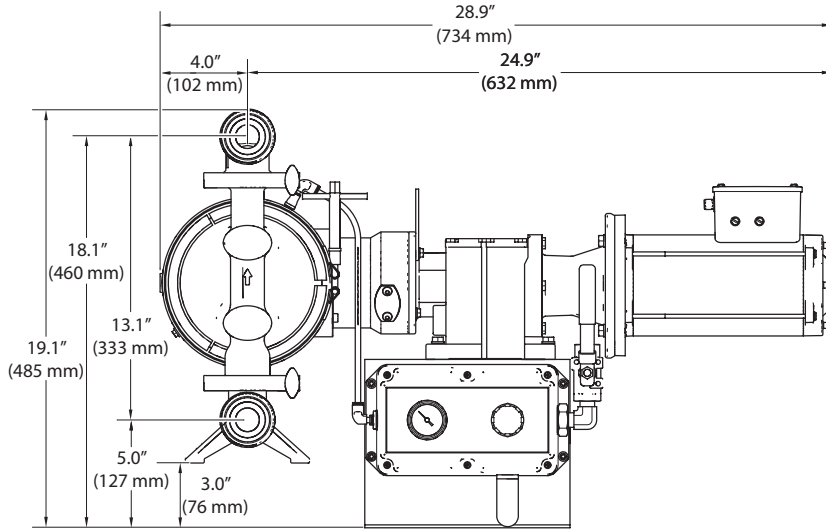
Max. Flow Rate	35 gpm (132 L/min)
Fluid Displacement Per Cycle*	0.10 gal. (0,38 L)
Max. Pump Speed	280 cpm
Max. Fluid Working Pressure	70 psi (4,8 bar)
Air Pressure Operating Range*	20-80 psi (1,4 - 5,5 bar)
Max. Particulate Size (Dia.)	1/8" (3,2 mm)
Max. Suction Lift	Wet 29 ft. (8,83 m) / Dry 16 ft. (4,87 m)
Max. Temperature	180°F (82.2°C)
Elastomers/Diaphragms	EPDM / Santoprene®
Center Block	316SS
Fluid Section	316SS
Port Configuration	Side Horizontal
Intake / Discharge Connection	1.5" Tri-Clamp®
Air Inlet Size	3/8" npt(f)
Noise Level at 70 psi (4,8 bar)	61 dBA
Motor Type	AC
Motor Power	2 HP (1,5 KW)
Motor Speed	1800 RPM @ 60 Hz / 1500 RPM @ 50 Hz
Motor Voltage	3 Phase 230V / 460V
Max. Viscosity**	10,000 cps (mPas)
Shipping Weight	166 lbs.(75 kg)

Technical Notes:

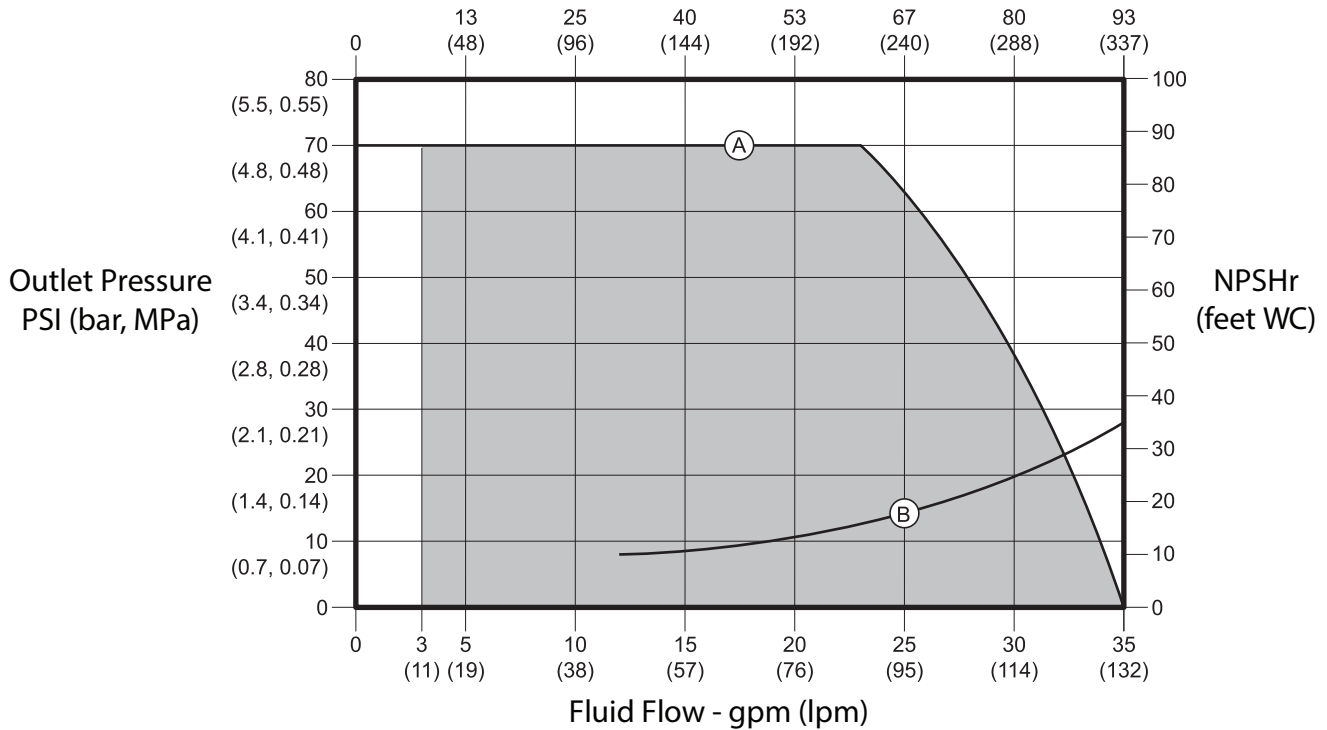
* Flow rate and displacement per cycle may vary based on suction condition, discharge head, air pressure, and fluid type.

** Viscosity range may vary due to factors such as suction condition and media composition.

All fluid contact materials are FDA-compliant and meet the United States Code of Federal Regulations (CFR) Title 21 for repeated use in food-processing machinery. The pump user must verify that the construction materials meet their specific application requirements.



Frequency - Hz (Pump Speed Cycles per Minute)



Key

A - Power Limit Curve

B - Net Positive Suction Head Required

*The shaded area is recommended for continuous duty