

Technical Specifications

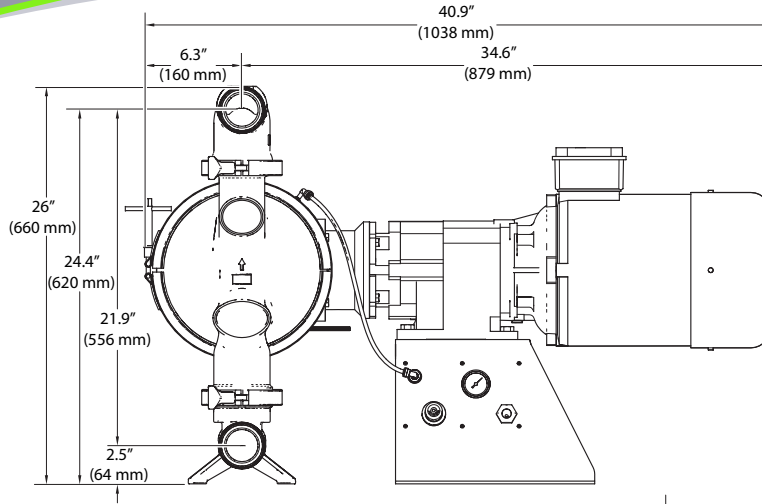
Max. Flow Rate	100 gpm (378 L/min)
Fluid Displacement Per Cycle*	0.6 gal. (2,3 L)
Max. Pump Speed	160 cpm
Max. Fluid Working Pressure	100 psi (6,9 bar)
Air Pressure Operating Range*	20-100 psi (1,4 - 6,9 bar)
Max. Particulate Size (Dia.)	1/4" (6,3 mm)
Max. Suction Lift	Wet 30 ft. (9,1 m) / Dry 14 ft. (4,3 m)
Max. Temperature	180°F (82.2°C)
Elastomers/Diaphragms	EPDM / Santoprene®
Center Block	316SS
Fluid Section	316SS
Port Configuration	Side Horizontal
Intake / Discharge Connection	2.5" Tri-Clamp®
Air Inlet Size	3/8" npt(f)
Noise Level at 60 psi (4,1 bar)	82 dBA
Motor Type	AC
Motor Power	7.5 HP (5,5 KW)
Motor Speed	1800 RPM @ 60 Hz / 1500 RPM @ 50 Hz
Motor Voltage	3 Phase 230V / 460V
Max. Viscosity**	25,000 cps (mPas)
Shipping Weight	442 lbs.(200 kg)

Technical Notes:

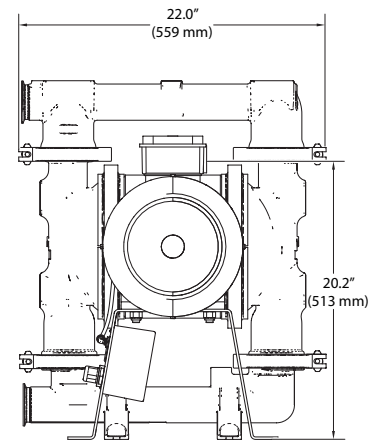
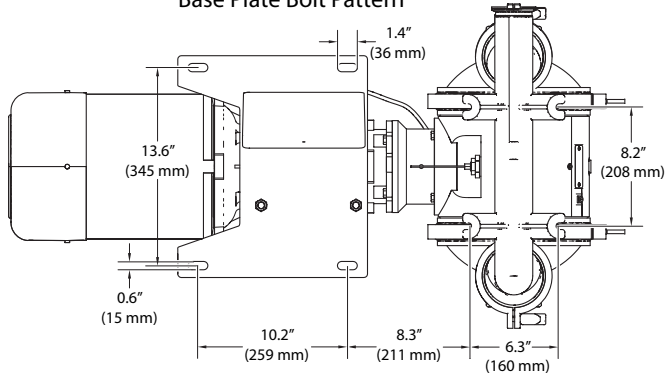
* Flow rate and displacement per cycle may vary based on suction condition, discharge head, air pressure, and fluid type.

** Viscosity range may vary due to factors such as suction condition and media composition.

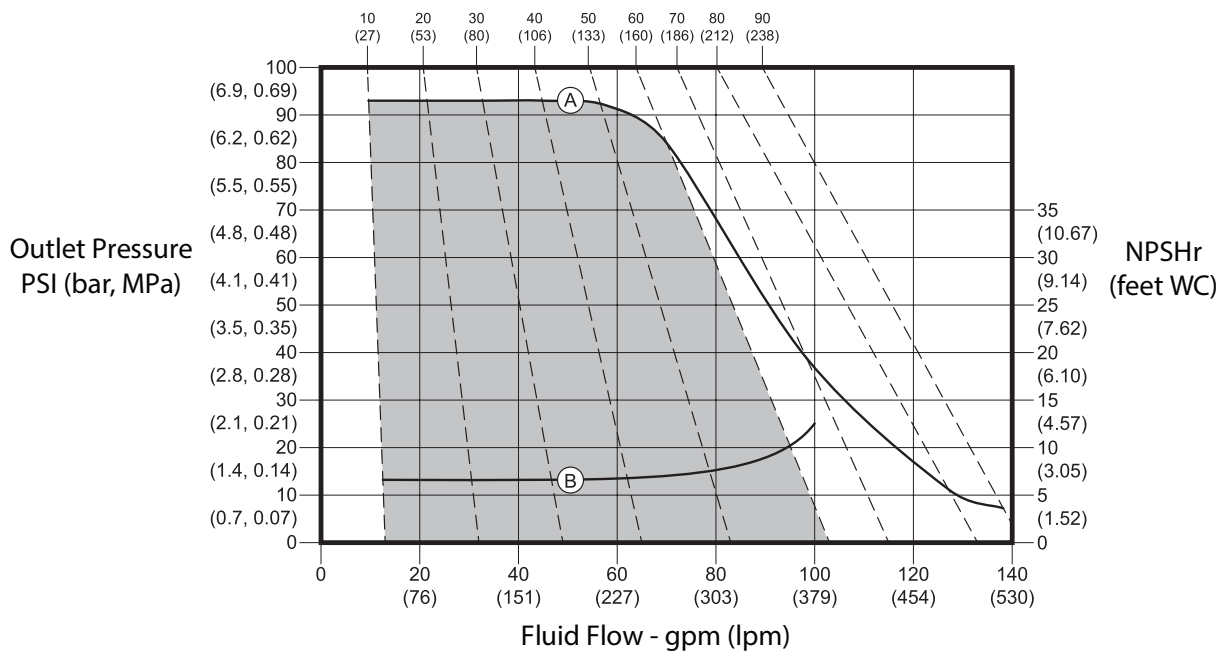
All fluid contact materials are FDA-compliant and meet the United States Code of Federal Regulations (CFR) Title 21 for repeated use in food-processing machinery. The pump user must verify that the construction materials meet their specific application requirements.



Base Plate Bolt Pattern



Frequency - Hz (Pump Speed Cycles per Minute)



Key

A - Power Limit Curve

B - Net Positive Suction Head Required

*The shaded area is recommended for continuous duty