

Technical Specifications

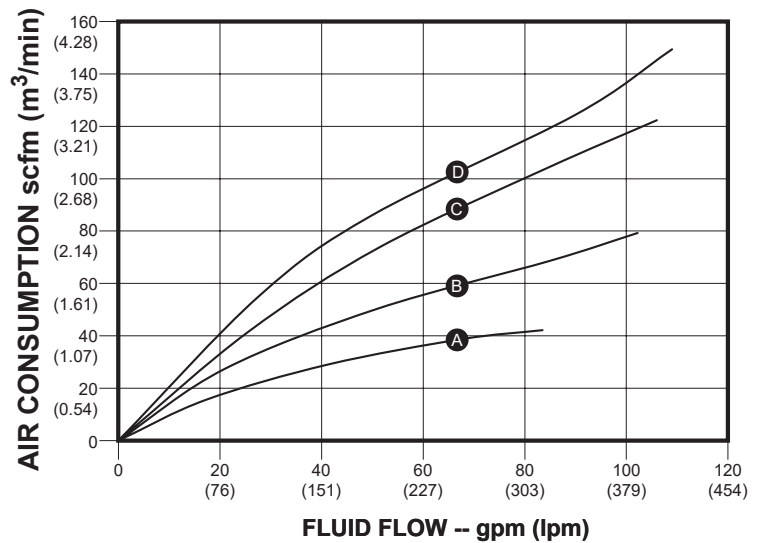
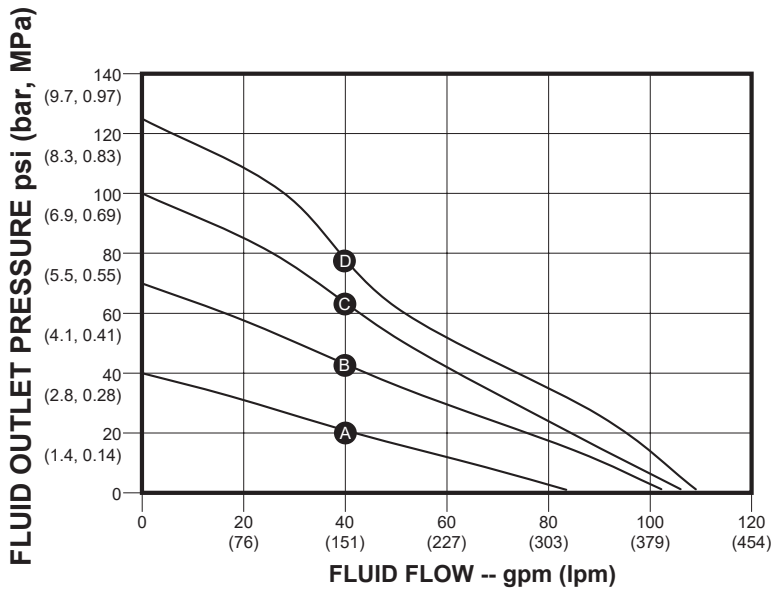
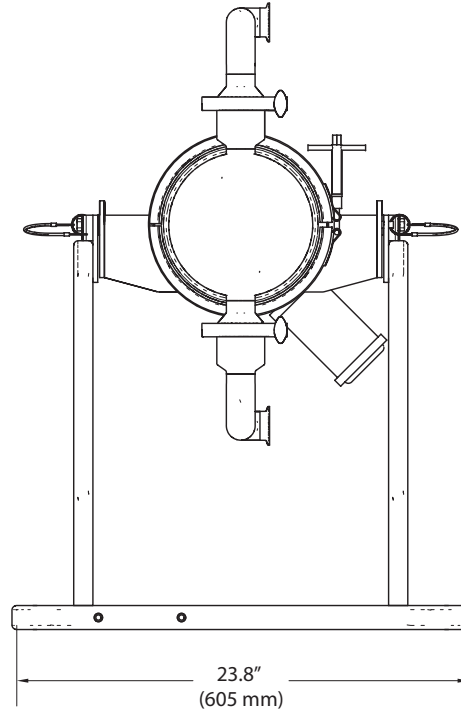
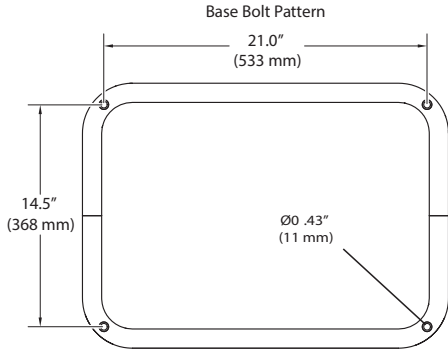
Max. Flow Rate	105 gpm (397,5 L/min)
Fluid Displacement Per Cycle*	0.65 gal. (2,46 L)
Max. Pump Speed	165 cpm
Max. Fluid Working Pressure	120 psi (8 bar)
Air Pressure Operating Range*	20-120 psi (1,4 - 8 bar)
Max. Particulate Size (Dia.)	3/16" (4,8 mm)
Max. Suction Lift	Wet 30 ft. (9,1 m) / Dry 10 ft. (3,0 m)
Max. Temperature	180°F (82.2°C)
Elastomers/Diaphragms	EPDM / Santoprene®
Center Block	316SS
Fluid Section	316SS
Port Configuration	Center Horizontal
Intake / Discharge Connection	1.5" Tri-Clamp®
Air Inlet / Exhaust Size	1/2" npt(f) / 3/4" npt(f)
Noise Level at 70 psi (4,8 bar)	85 dBa
Max. Viscosity**	15,000 cps (mPas)
Shipping Weight	89 lbs.(40,4 kg)

Technical Notes:

* Flow rate and displacement per cycle may vary based on suction condition, discharge head, air pressure, and fluid type.

** Viscosity range may vary due to factors such as suction condition and media composition.

All fluid contact materials are FDA-compliant and meet the United States Code of Federal Regulations (CFR) Title 21 for repeated use in food-processing machinery. The pump user must verify that the construction materials meet their specific application requirements.



AIR PRESSURE

- D 120 psi air (8.4 bar, 0.84 MPa)
- C 100 psi air (7 bar, 0.7 MPa)
- B 70 psi air (4.8 bar, 0.48 MPa)
- A 40 psi air (2.8 bar, 0.28 MPa)

Note: Pump tested in water with inlet submerged.