

## Technical Specifications

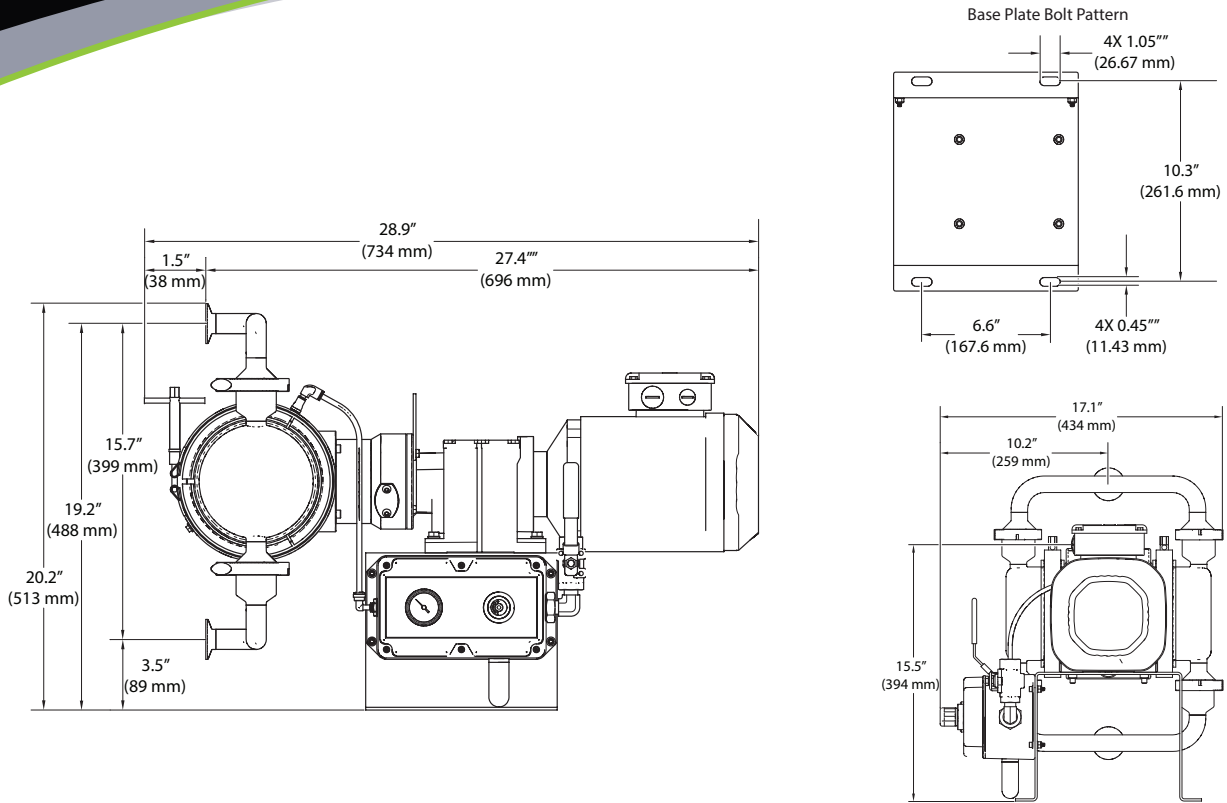
|  |   |
|--|---|
| <b>Max. Flow Rate</b> .....                  | 35 gpm (132 L/min)                        |
| <b>Fluid Displacement Per Cycle*</b> .....   | 0.10 gal. (0,38 L)                        |
| <b>Max. Pump Speed</b> .....                 | 280 cpm                                   |
| <b>Max. Fluid Working Pressure</b> .....     | 70 psi (4,8 bar)                          |
| <b>Air Pressure Operating Range*</b> .....   | 20-80 psi (1,4 - 5,5 bar)                 |
| <b>Max. Particulate Size (Dia.)</b> .....    | 1/8" (3,2 mm)                             |
| <b>Max. Suction Lift</b> .....               | Wet 29 ft. (8,83 m) / Dry 16 ft. (4,87 m) |
| <b>Max. Temperature</b> .....                | 220°F (104.4°C)                           |
| <b>Elastomers/Diaphragms</b> .....           | EPDM / PTFE                               |
| <b>Center Block</b> .....                    | 316SS                                     |
| <b>Fluid Section</b> .....                   | 316SS                                     |
| <b>Port Configuration</b> .....              | Center Horizontal                         |
| <b>Intake / Discharge Connection</b> .....   | 1.0" Tri-Clamp®                           |
| <b>Air Inlet Size</b> .....                  | 3/8" npt(f)                               |
| <b>Noise Level at 70 psi (4,8 bar)</b> ..... | 61 dBA                                    |
| <b>Motor Type</b> .....                      | AC  |
| <b>Motor Power</b> .....                     | 2 HP (1,5 KW)                             |
| <b>Motor Speed</b> .....                     | 1800 RPM @ 60 Hz / 1500 RPM @ 50 Hz       |
| <b>Motor Voltage</b> .....                   | 3 Phase 230V / 460V                       |
| <b>Max. Viscosity**</b> .....                | 10,000 cps (mPas)                         |
| <b>Shipping Weight</b> .....                 | 157 lbs.(80 kg)                           |

### Technical Notes:

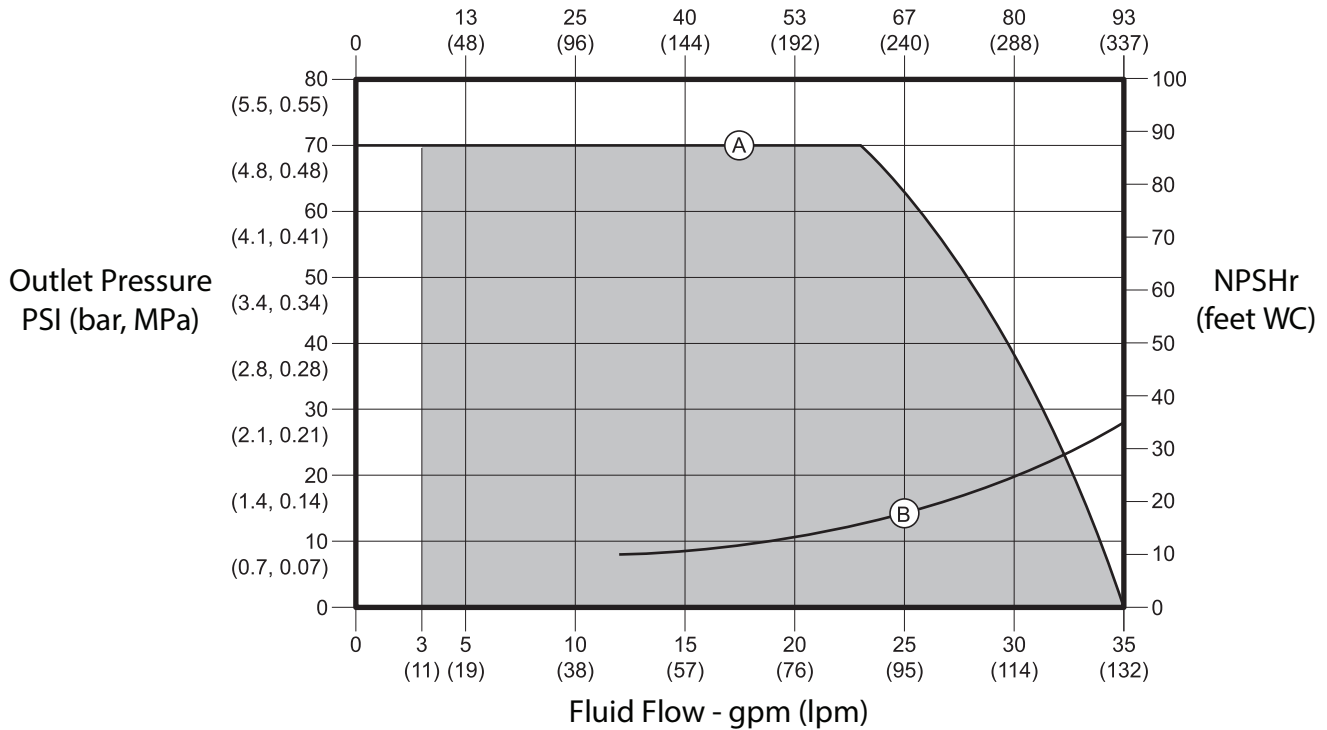
\* Flow rate and displacement per cycle may vary based on suction condition, discharge head, air pressure, and fluid type.

\*\* Viscosity range may vary due to factors such as suction condition and media composition.

All fluid contact materials are FDA-compliant and meet the United States Code of Federal Regulations (CFR) Title 21 for repeated use in food-processing machinery. The pump user must verify that the construction materials meet their specific application requirements.



Frequency - Hz (Pump Speed Cycles per Minute)



Key

A - Power Limit Curve

B - Net Positive Suction Head Required

\*The shaded area is recommended for continuous duty