



Engineered for transferring corrosive chemicals associated with the water treatment industry. Robust CPVC offers excellent durability and chemical resistance.

Technical Specifications

Package Includes:..... Motor, Pump Tube, Hose, Wall Bracket, Barrel Adaptor & Hand Nozzle

Motor Type:..... 230V, 950 W, IP54, Variable Speed Drive

Pump Tube Material:..... CPVC, Hastelloy C-276, Carbon Graphite

Immersion Length:..... 39" (1000 mm) or 47" (1200 mm)

Discharge Hose:PVC, 1,8 m, 1" (25 mm) I.D.

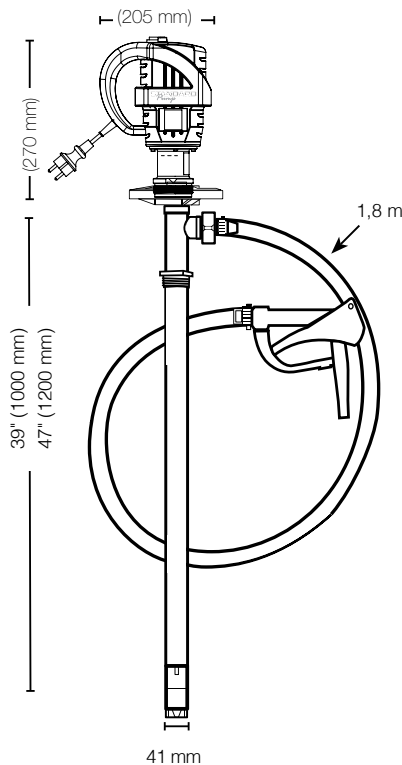
Hand Nozzle Material:Polypropylene, Viton

Maximum Flow Rate:..... 67 L/min based on water

Maximum Viscosity: 1500 cps (mPas)

Maximum Temperature: 80°C

Shipping Weight: 9,97 kg



DRUM & IBC tanks

Package P/N	Motor	Power	Pump Tube
9550	SPE-950V	950 W	SP-CPVC-39
9551	SPE-950V	950 W	SP-CPVC-47



Warning: This pump is not suitable for use with Flammable/Combustible liquids.

*Note: When pumping viscosities over 1,000 cps, pump must be used intermittently to avoid potential premature failure and/or damage.