



Engineered for transferring corrosive chemicals associated with the water treatment industry. Robust Polypropylene offers excellent durability and chemical resistance against light to aggressive chemicals.
Common applications include: Light oils, corrosion inhibitors and water additives.

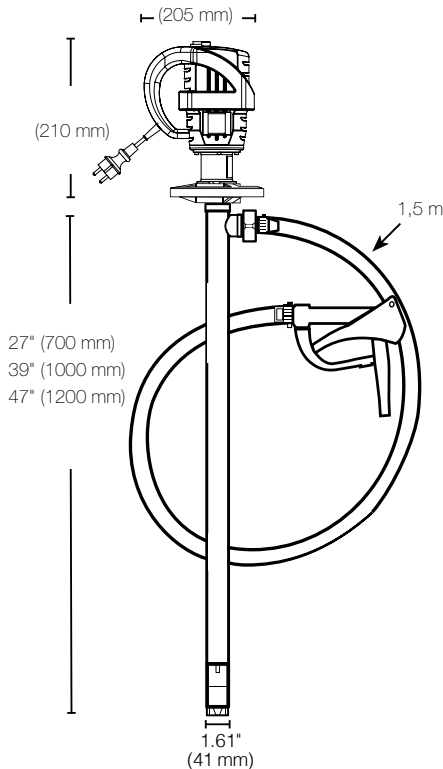
Technical Specifications

Package Includes:..... Motor, Pump Tube, Hose & Hand Nozzle
Motor Type:..... 230V, IP44 (250W)
Pump Tube Material:.....Polypropylene, Carbon, AISI 316
Immersion Length:..... 27" (700 mm) 39" (1000 mm) or 47" (1200 mm)
Discharge Hose:PVC, 5 ft (1,5 m), 3/4" (19 mm) I.D.
Hand Nozzle Material: Polypropylene, Viton or EPDM
Maximum Flow Rate:..... 38 L/min *based on water*
Maximum Viscosity: 200 cps (mPas)
Maximum Temperature: 55°C
Shipping Weight:..... (17 lbs.) 8 kg



DRUM & IBC

Package P/N	Motor	Power	Pump Tube
SPEK-PPS-27	SPE-250B	250 W	SP-PPS-27
SPEK-PPS-39	SPE-250B	250 W	SP-PPS-39
SPEK-PPS-47	SPE-250B	250 W	SP-PPS-47



Warning: This pump is not suitable for use with Flammable/Combustible liquids.

*Note: When pumping viscosities over 1,000 cps, pump must be used intermittently to avoid potential premature failure and/or damage.