

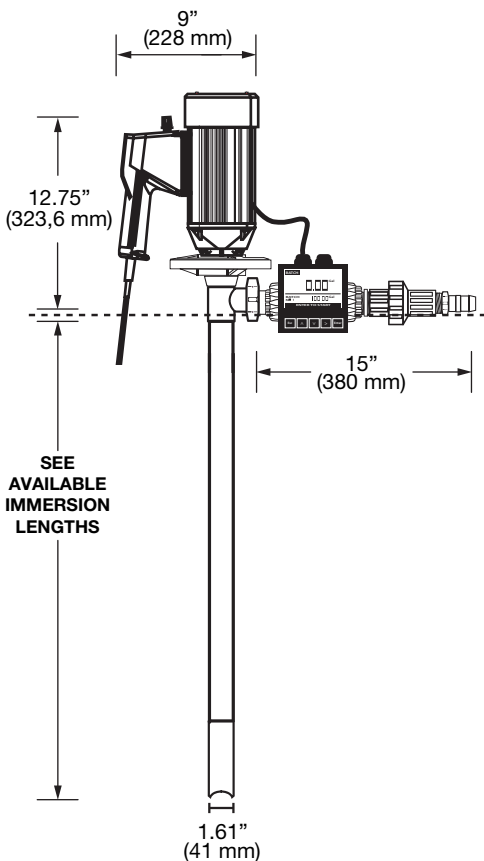


Features

- Liquid crystal display
- 10 Programmable presets
- Multi-lingual
- 3 color backlight display
- Pulse output relay
- Remote start (requires additional components)
- Chemically resistant wetted components

Technical Specifications

Motor Drive:	Open Drip Proof (IP44) or TEFC (IP54), 1.1 HP (825W)
Available Voltage:	110V or 230V
Amps:	2.5 - 8a (varies by voltage)
Maximum Viscosity	300 cps (mPas)
Wetted Components:	Polypropylene System
.....	Polypropylene, PVDF, Hastelloy C, Viton, Carbon Graphite, Ceramic & Halar
.....	PVDF System
.....	PVDF, Hastelloy C, Viton, Carbon Graphite, Ceramic & Halar
.....	Stainless Steel System
.....	SS316L, PTFE, Viton, Carbon Graphite, PVDF, Ceramic & Halar
Available Immersion Lengths:	27" (700 mm), 39" (1000 mm), 47" (1200 mm), 60" (1500 mm), 72" 1800 mm
.....	*Additional lengths available upon request
Maximum Temperature:	Polypropylene System - 130° F (55° C)
.....	PVDF & Stainless Steel Systems - 175° F (80° C)
Discharge Fitting:	1" (25 mm) Hose Barb
Pumping Principle:	Sealless / Centrifugal
Metering Principle:	Turbine (Paddle Wheel)
Flow Range (based on water):	4 gpm (15,2 lpm) - 27 gpm (102,2 lpm)
Minimum Batch Size:	1 gal (3,8 l)*
Accuracy (based on batch size):	2+ gal (7,6 l): +/- 1% of Reading
.....	1 gal (3,8 l): +/- 2% of Reading
.....	* Note: Batch sizes less than one gallon may compromise system accuracy.



Controller Display

WARNING: Not suitable for pumping flammable or combustible liquids or use in a hazardous duty environment.