

# Product Catalog 2024

| Drum Pumps | Container Pumps | IBC Pumps | Diaphragm Pumps |



# TABLE OF CONTENTS

<b>Sanitary Centrifugal Pumps</b>	
SP-8600 Ultra Flow Series & SP-8700 Series   Spare Parts	4
SP-8850 Ultra Flow Series & SP-8950 Ultra Flow   Spare Parts	6
<b>Sanitary Progressive Cavity Pumps   Planetary Gear</b>	
SP-800SR Series & SP-800SR Bag Liner Series   Spare Parts	8
SP-850SR Series   Spare Parts	12
<b>Drum Pump Motors</b>	
Motors for Ultra Flow and SR Series   Spare Parts	15
<b>Sanitary Progressive Cavity Pumps   Direct Drive</b>	
SP-800DD Series & SP-800DD Bag Liner Series   Spare Parts	18
SP-850DD Series   Spare Parts	20
<b>Drum Pump Motors</b>	
Electric & Pneumatic Motors for Direct Drive pumps   Spare Parts	23
<b>Accessories for Sanitary Drum Pumps</b>	27
<b>Warranty</b>	29
<b>Heating Jackets</b>	
Heating Jackets & Base Heater	30
ATEX Heating Jackets	31
<b>Additional Markets Served</b>	
PlusAir™   Air Operated Double Diaphragm Pumps	32
QUANTM™   Electric Operated Double Diaphragm Pumps	33
MiniChem™   Air Operated Double Diaphragm Pumps	34
Mixers & Agitators	35

PHARMACEUTICAL



BIOTECH



COSMETIC



FOOD



BEVERAGE

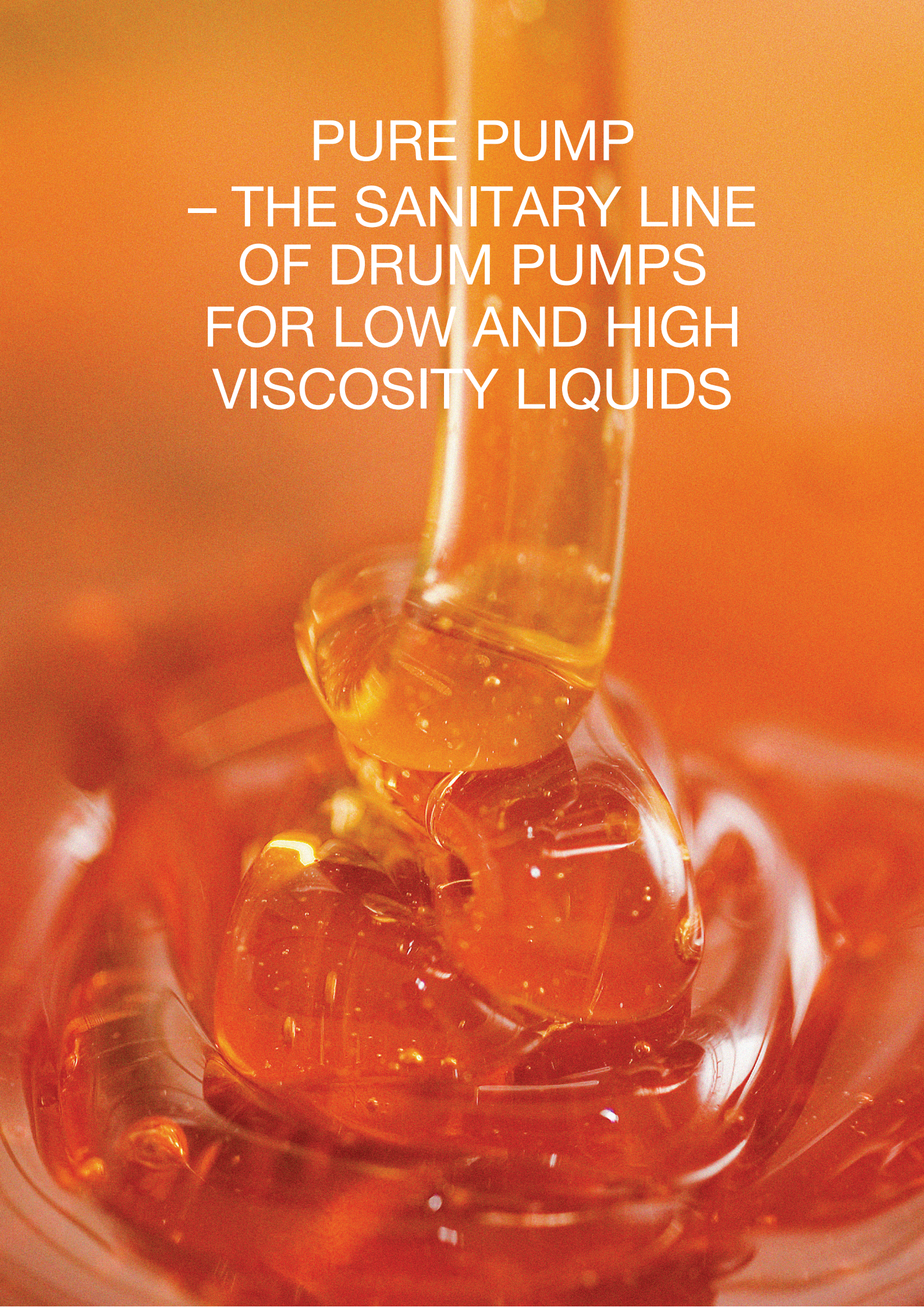


POULTRY



*Detailed products descriptions, Product Datasheets, Manuals, Certificates are available from:  
[www.Standard-Europe.eu](http://www.Standard-Europe.eu)*





PURE PUMP  
– THE SANITARY LINE  
OF DRUM PUMPS  
FOR LOW AND HIGH  
VISCOSITY LIQUIDS



Standard Pumps SP-8600/8700 series sanitary centrifugal pumps engineered as the ideal solution for transferring juices, concentrates, beer, wine, and cosmetic fragrances from barrels, kettles and IBC's. The SP-8600 series pumps incorporate a proven hygienic design and FDA compliant materials of construction (CFR 21.177) insuring a safe, robust and efficient sanitary solution.



## Common Applications

- Concentrates
- Pharmaceutical Ingredients
- Wine & Beer
- Juices
- Personal Care Products

## Features

- FDA Compliant Materials of Construction
- Flow Rates to 132 l/min
- Discharge Pressure to 2,9 bar
- Easy to Clean
- Tri-Clamp Fittings
- Light Weight & Portable
- Variable Speed Electric & Air Motors

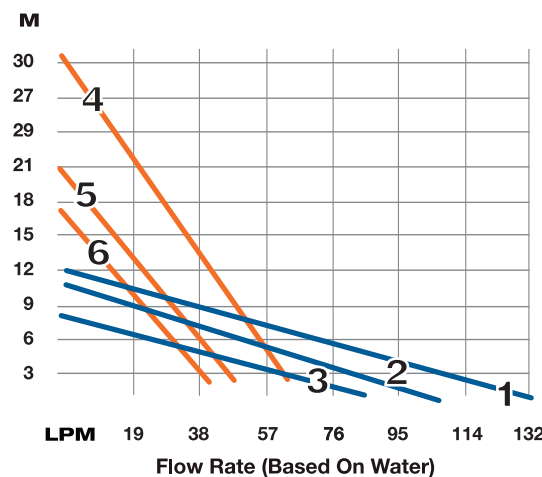
## Technical Specifications

<b>Wetted Components:</b>	SS316L, Teflon
<b>Motor Drive:</b>	SPE-950, SP-440EX, SP-ENC, SP280, SP-B2, SP-A1
<b>Inlet / Discharge Size:</b>	1.5" (38mm) / 1" (25mm) Tri-clamp, gasket and hose barb not included.
<b>Maximum Viscosity:</b>	1.000 cps (mPas)
<b>Maximum Discharge Pressure:</b>	2,9 Bar
<b>Maximum Flow Rate:</b>	132 l/min
<b>Maximum Liquid Temperature:</b>	80°C, ATEX 40°C
<b>Directive &amp; Classification:</b>	ATEX 2014/34/EU, EX II 2G EX h IIB T4 Gb

## Models

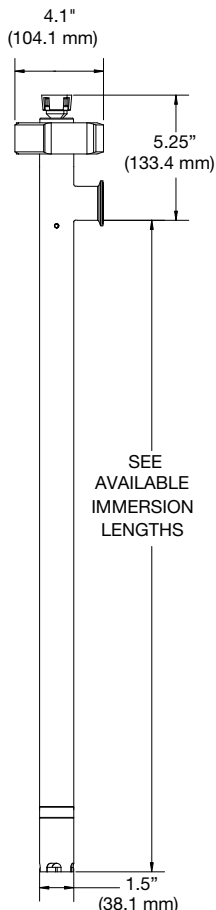
Model	Pump Assembly	Shaft	Impeller	Gross WT	Bushing
SP-8600-39	SS316	SS316	High Volume	5,5 kg	Teflon
SP-8600-47	SS316	SS316	High Volume	6,4 kg	Teflon
SP-8700-39	SS316	SS316	High Pressure	5,5 kg	Teflon
SP-8700-47	SS316	SS316	High Pressure	6,4 kg	Teflon

## Flow Curves



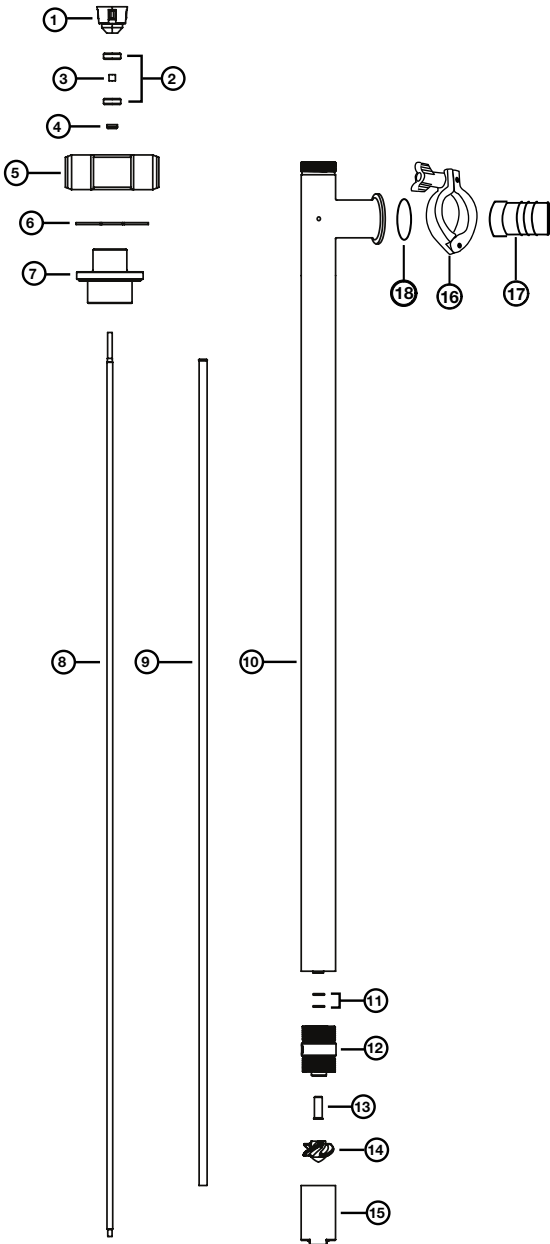
### KEY:

- 1 8600 Pump Tube / SPE-950
- 2 8600 Pump Tube / SP-ENC, SP-280, SP-440EX
- 3 8600 Pump Tube / SP-B2, SP-A1
- 4 8700 Pump Tube / SPE-950
- 5 8700 Pump Tube / SP-ENC, SP-280, SP-440EX
- 6 8700 Pump Tube / SP-B2, SP-A1





SP-8600 & 8700



Ref #	Description	Part No.	Qty
1	Pump Coupling, Nylon	1004	1
2	Bearing, Shielded, Food Grade Grease	8838-2	2
3	Bearing Spacer, SS316	8838-4	1
4	Secondary Seal, PTFE	8803	1
5	Connection Nut, SS316L	8842	1
6	Snap Ring, SS316	8208	1
7	Connection Flange, SS316L	8602	1
8	Drive Shaft, SS316L		1
	39" (1000 mm)	8606	
	47" (1200 mm)	8607	
9	Guide Sleeve, PTFE	8811	1
10	Inner/Outer Tube Assembly, SS316L		1
	39" (1000 mm)	8614	
	47" (1200 mm)	8615	
11	O-Ring, Buna	8823	2
12	Pump Housing, SS316L	8824	1
13	Bushing, PTFE	8825	1
14	Rotor/Impeller, SS316L		1
	High Volume (SP-8600)	8827	
	High Pressure (SP-8700)	8927	
15	Pump Foot, SS316L		1
	High Volume (SP-8600)	8826	
	High Pressure (SP-8700)	8926	
16	Tri-Clamp, SS316L	833	1
17	Hose Barb, SS316L	8833	1
18	Hose Barb, Gasket Buna	836	1

When pumping flammable or combustible liquids, this pump must be used in conjunction with an explosion proof motor (SP-440EX).



# Sanitary Centrifugal Pumps | SP-8850, SP-8950

Standard Pump SP-8850 and SP-8950 series sanitary centrifugal pumps engineered to transfer dairy products, pharmaceuticals, juices, concentrates, beer, wine, and cosmetic fragrances from barrels, kettles and IBS's. The SP-8850 and SP-8950 series pumps are 3A certified and incorporate a hygienic design that enables operators quickly to disassemble, clean and sanitize.



## Common Applications

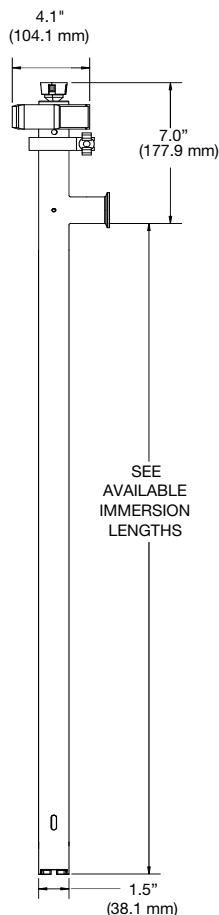
- Concentrates
- Pharmaceutical Ingredients
- Wine & Beer
- Juices
- Personal Care Products
- Cosmetic Fragrances

## Features

- 3A Certified
- FDA Compliant Materials of Construction
- Flow Rates to 132 l/min
- Discharge Pressure to 2,9 bar
- Easy to Clean
- Tri-Clamp Fittings
- Light Weight & Portable
- Variable Speed Electric & Air Motors

## Technical Specifications

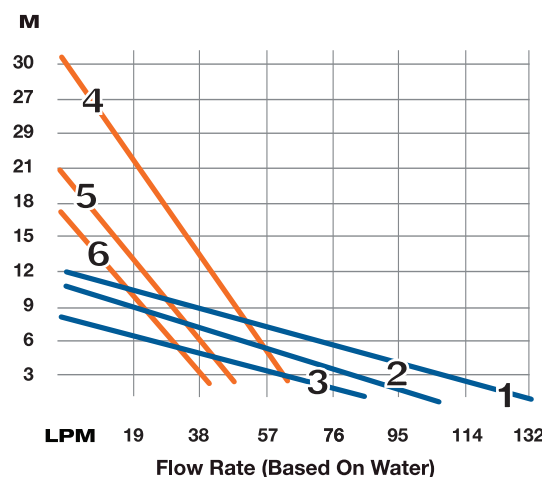
<b>Wetted Components:</b>	SS316L, Teflon
<b>Motor Drive:</b>	SPE-950, SP-440EX, SP-ENC, SP-280, SP-B2, SP-A1
<b>Inlet / Discharge Size:</b>	1.5" (38mm) / 1" (25mm) Tri-clamp, gasket and hose barb not included.
<b>Maximum Viscosity:</b>	1.000 cps (mPas)
<b>Maximum Discharge Pressure:</b>	2.9 Bar
<b>Maximum Flow Rate:</b>	132 l/min
<b>Maximum Liquid Temperature:</b>	80°C, ATEX 40°C
<b>Directive &amp; Classification:</b>	ATEX 2014/34/EU, EX II 2G EX h IIB T4 Gb



## Models

Model	Pump Assembly	Shaft	Impeller	Pump WT	Bushing
SP-8850-39	SS316	SS316	High Volume	5,5 kg	Teflon
SP-8850-47	SS316	SS316	High Volume	6,4 kg	Teflon
SP-8950-39	SS316	SS316	High Pressure	5,5 kg	Teflon
SP-8950-47	SS316	SS316	High Pressure	6,4 kg	Teflon

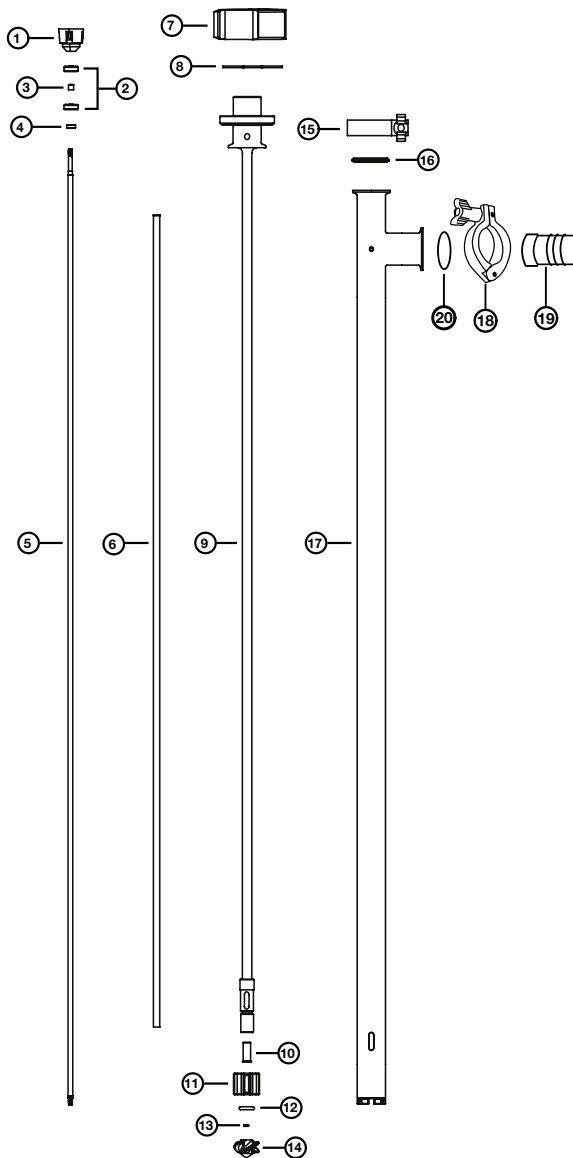
## Flow Curves



### KEY:

- 1 8850 Pump Tube / SPE-950
- 2 8850 Pump Tube / SP-ENC, SP-280, SP-440EX
- 3 8850 Pump Tube / SP-B2, SP-A1
- 4 8950 Pump Tube / SPE-950
- 5 8950 Pump Tube / SP-ENC, SP-280, SP-440EX
- 6 8950 Pump Tube / SP-B2, SP-A1

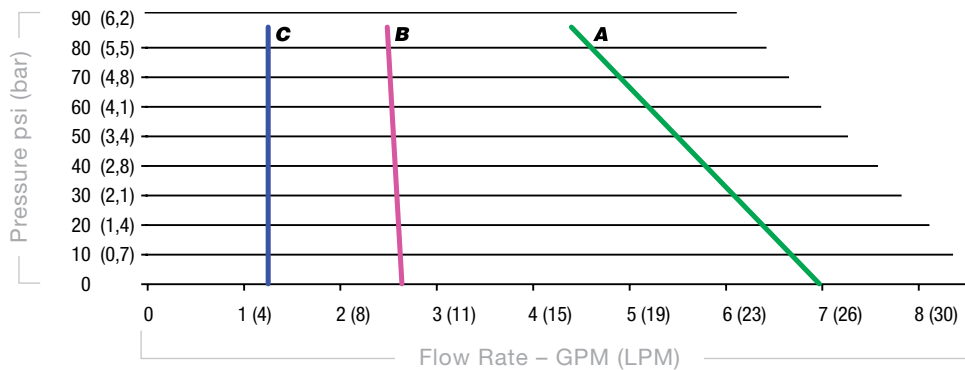


SP-8850 & 8950		Ref #	Description	Part No.	Qty
	1	Pump Coupling, Nylon	1004	1	
	2	Bearing, Shielded, Food Grade Grease	8838-2	2	
	3	Bearing Spacer, SS316L	8838-4	1	
	4	Secondary Seal, PTFE, SS316L	8803	1	
	5	Drive Shaft, SS316L		1	
		39" (1000 mm)	8891		
		47" (1200 mm)	8892		
	6	Guide Sleeve, PTFE	8811	1	
	7	Connection Nut, SS316L	8842	1	
	8	Snap Ring, SS316	8208	1	
	9	Inner Tube Assembly, SS316L		1	
		39" (1000 mm)	8885		
		47" (1200 mm)	8886		
	10	Bushing, PTFE	8825	1	
	11	Pump Housing Stability Wing, PTFE	8895	1	
	12	O-Ring, Buna	8896	1	
	13	O-Ring, Buna	8830	1	
	14	Rotor/Impeller, SS316L		1	
		High Volume (SP-8850)	8827		
		High Pressure (SP-8950)	8927		
15	Tri-Clamp, SS316	833	1		
16	Tri-Clamp Gasket, Buna	836	1		
17	Outer Tube, SS316L		1		
	High Volume, 39" (1000 mm) (SP-8850)	8881			
	High Volume, 47" (1200 mm) (SP-8850)	8882			
	High Pressure, 39" (1000 mm) (SP-8950)	8981			
	High Pressure, 47" (1200 mm) (SP-8950)	8982			
18	Tri-Clamp, SS316L	833	1		
19	Hose Barb, SS316L	8833	1		
20	Hose Barb, Gasket Buna	836	1		



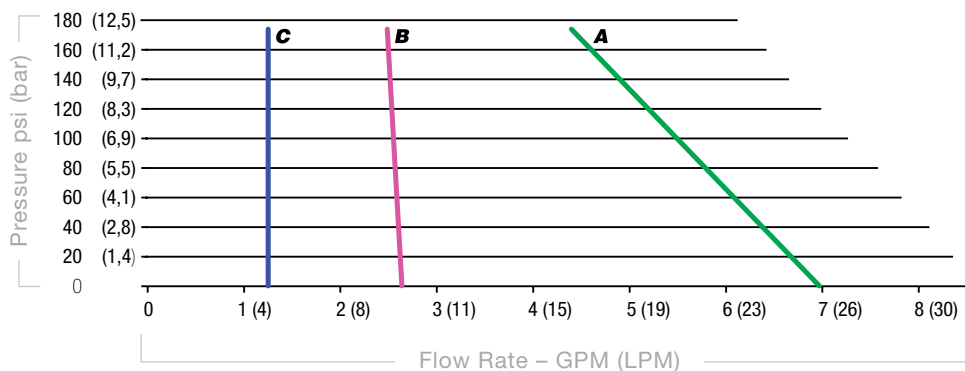
## Performance Curves

### 751 Series Pumps



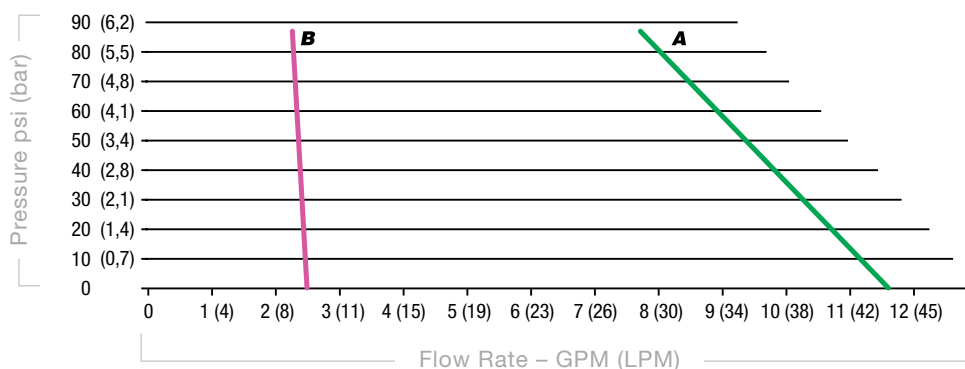
Viscosity cps (mPas)	Electric Motor
A 1	SP-ENC Series, SP-400 Series
B 10,000	SP-ENC Series, SP-400 Series
C 25,000	SP-ENC Series, SP-400 Series

### 752 Series Pumps



Viscosity cps (mPas)	Electric Motor
A 1	SP-ENC Series, SP-400 Series
B 10,000	SP-ENC Series, SP-400 Series
C 25,000	SP-ENC Series, SP-400 Series

### 1851 Series Pumps



Viscosity cps (mPas)	Electric Motor
A 1	SP-ENC Series, SP-400 Series
B 10,000	SP-ENC Series, SP-400 Series



# Sanitary Progressive Cavity Pumps | SP-800SR with Planetary Gear

Standard Pumps 800SR series Progressive Cavity/Positive Displacement pumps are engineered for transferring viscous food products, pharmaceutical ingredients and cosmetic lotions from drums, ToteTanks® and kettles. The progressive cavity design delivers a continuous flow with little product degradation. Maximum viscosity is 25,000 mPAS. The SP-800 series pumps incorporate a proven hygienic design and FDA compliant materials of construction (CFR 21.177) insuring a safe, robust and efficient sanitary solution.



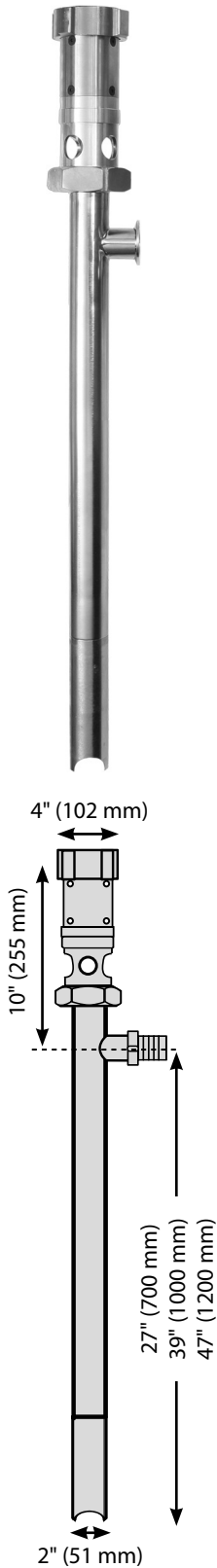
## Common Applications Features

- |   |   |
|---|---|
| <ul style="list-style-type: none"> <li>• Pie Fillings</li> <li>• Juice Concentrates</li> <li>• Sauces</li> <li>• Chocolate</li> <li>• Lotions</li> <li>• Shampoo</li> </ul> | <ul style="list-style-type: none"> <li>• Hygienic Design in FDA Compliant Materials of Construction</li> <li>• Gentle Product Treatment</li> <li>• Continuous Flow</li> <li>• Flow Rates to 45 l/min</li> <li>• Discharge Pressure to 12 bar</li> <li>• Easy to Clean &amp; Maintain</li> <li>• Variable Speed Electric &amp; Air Motors</li> </ul> |
|---|---|



## Technical Specifications

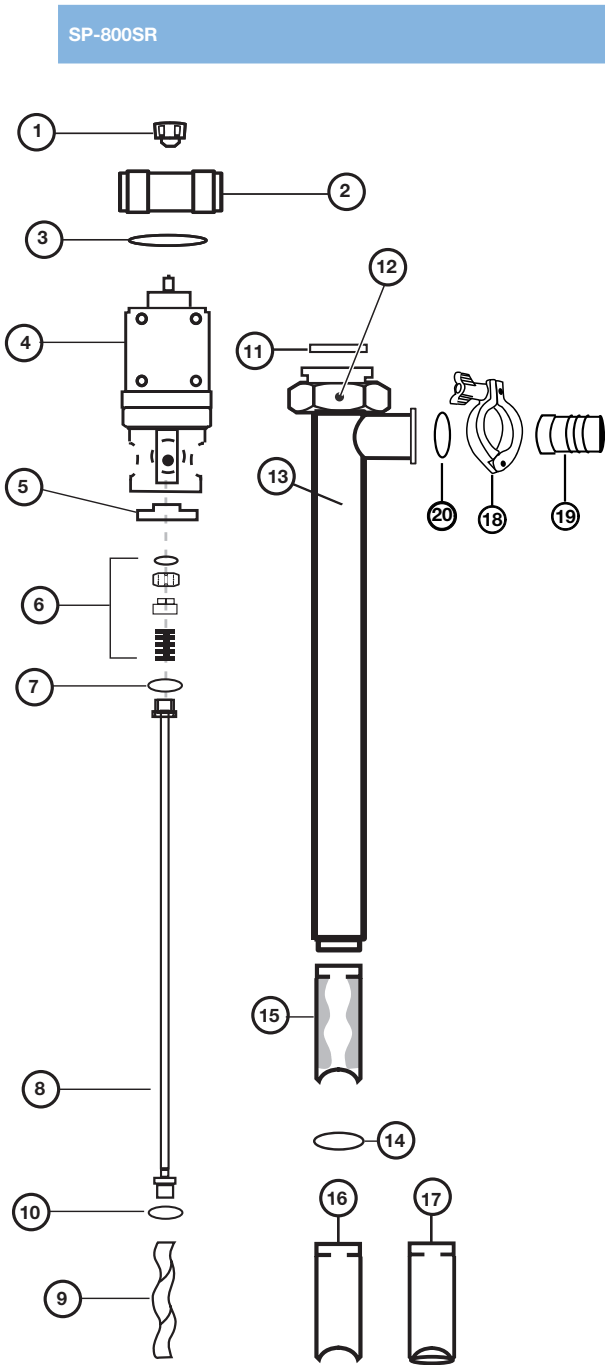
- Immersion Lengths:** 27" (700 mm), 39" (1.000 mm), 47" (1.200 mm)  
add 5" (127 mm) to the immersion length for 752 series
- Wetted Components:** 316 stainless steel (Tube & Rotor assembly), Teflon (stator)
- Pump Finish:** 32 Ra
- Motor drives:** SPE-950V, SP-ENC-2-V (both variable speed)
- Inlet/Discharge Size:** 2" (51 mm) or 1,5" (38 mm). Hose Barb not included  
Optional 1,25" (32 mm) hose barb
- Maximum Viscosity:**
- 751 & 752 Series 25.000 cps (mPas)
  - 1851 Series 10.000 cps (mPas)
- Maximum Discharge Pressure:**
- 751 & 1851 Series: 6 Bar
  - 752 Series: 12 Bar
- Maximum Flow Rate:**
- 1851 Series: 45 l/min (based on water)
  - 751 & 752 Series: 26 l/min (based on water)
- Duty Cycle:** Intermittent (30 minutes intervals)
- Max. Temperature:** 148 °C
- Max. Solids Size:** 0,25" (6 mm)
- Mechanical Seal:** SiC/Viton/SiC
- Stator Material:** PTFE (Teflon)
- Bag Liner Series (BL):** Optional pump intake design available for applications with hygienic liners (BL)



## 800SR Series & 800SR Bag Liner Series

Model	Length	Weight
SP-800SR-751P-39	39" (1.000 mm)	9,0 kg
SP-800SR-752P-39	44" (1.120 mm)	10,0 kg
SP-800SR-1851P-39	39" (1.000 mm)	10,50 kg
SP-800SR-751P-47	47" (1.200 mm)	10,50 kg
SP-800SR-752P-47	52" (1.320 mm)	11,0 kg
SP-800SR-1851P-47	47" (1.200 mm)	10,50 kg
SP-800SR-751P-39-BL	39" (1.000 mm)	9,0 kg
SP-800SR-752P-39-BL	44" (1.120 mm)	10,0 kg
SP-800SR-1851P-39-BL	39" (1.000 mm)	10,50 kg
SP-800SR-751P-47-BL	47" (1.200 mm)	10,50 kg
SP-800SR-752P-47-BL	52" (1.320 mm)	11,0 kg
SP-800SR-1851P-47-BL	47" (1.200 mm)	10,50 kg





Ref #	Description	Part No.	Qty
1	Pump Coupling	1004	1
2	Connection Nut, SS316	8842	1
3	Snap Ring, SS316	8208	1
4	Gear Reduction Unit, SS316	779	1
5	Mechanical Seal Bushing, SS316	702	1
6	Mechanical Seal, SIC	703	1
7	Gasket, PTFE	735	1
8	Drive Shaft, SS316		1
	SP-1851-39	705	
	SP-751-39,SP-752-39,SP-1851-47	706	
	SP-751-47,SP-752-47	707	
9	Rotor, SS316		1
	Size 751	708	
	Size 752	709	
	Size 1851	710	
10	Gasket, PTFE	731	1
11	Gasket, PTFE	738	1
12	Set Screw, SS316	757	1
13	Outer Tube Assembly, SS316		1
	SP-1851-39	801	
	SP-751-39,SP-752-39,SP-1851-47	802	
	SP-751-47,SP-752-47	803	
14	Ring, SS316	0016	1
15	Stator Insert, PTFE		1
	Size 751	822	
	Size 752	823	
	Size 1851	824	
16	Stator Tube, SS316		1
	SP-800SR-751P-39 & SP-800SR-751P-47	874	
	SP-800SR-752P-39 & SP-800SR-752P-47	875	
	SP-800SR-1851P-39 & SP-800SR-1851P-47	876	
17	Stator Tube, Bag Liner Series, SS316		1
	SP-800SR-751P-39BL & SP-800SR-751P-47BL	874BL	
	SP-800SR-752P-39BL & SP-800SR-752P-47BL	875BL	
	SP-800SR-1851P-39BL & SP-800SR-1851P-47BL	876BL	
18	Tri-Clamp	833	
19	Hose Barb		
	1.25 (32 mm)	834	
	1.5 (38 mm)	835	
20	Hose Barb Gasket Buna	836	



### Specialized Pump Intake Design, Engineered for Applications with Hygienic Liners

Often the drums have a hygienic liner that can be a challenge for a traditional pump (it will suck the product and bag into the pump). However, Standard pump offers a special Bag Liner series pump for this exact application.

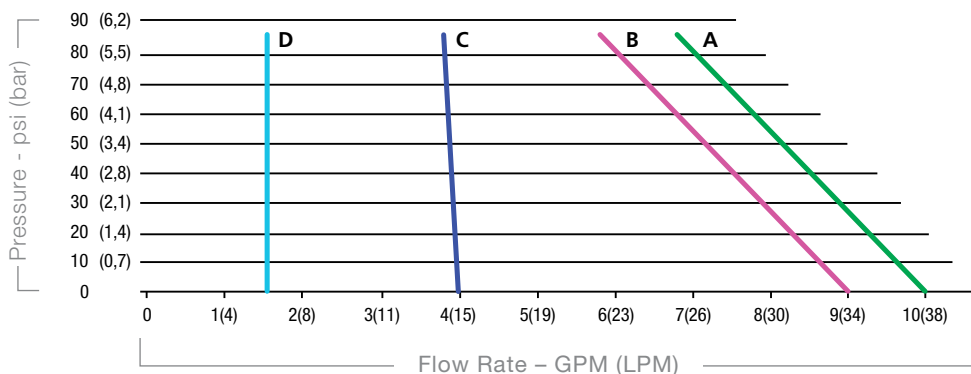


Bag Liner Series Pump Intake



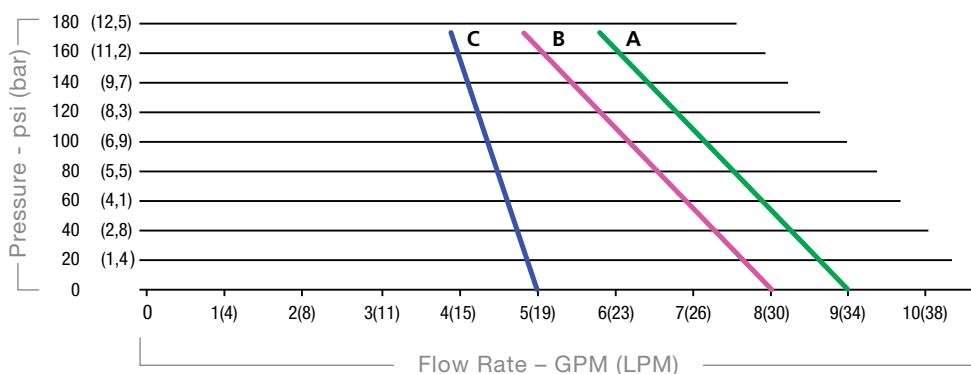
## Performance Curves

### 751 Series Pumps



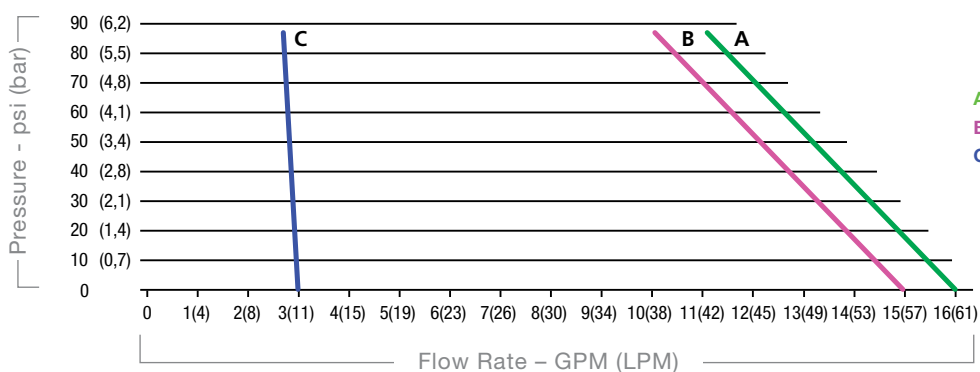
Viscosity cps (mPas)	Electric Motor
A 1	SP-400 Series
B 1	SP-ENC Series
C 10,000	SP-ENC Series, SP-400 Series
D 30,000	SP-ENC Series, SP-400 Series

### 752 Series Pumps



Viscosity cps (mPas)	Electric Motor
A 1	SP-400 Series
B 1	SP-ENC Series
C 3,000	SP-ENC Series, SP-400 Series

### 1851 Series Pumps



Viscosity cps (mPas)	Electric Motor
A 1	SP-400 Series
B 1	SP-ENC Series
C 3,000	SP-ENC Series, SP-400 Series



# Sanitary Progressive Cavity Pumps | SP-850SR with Planetary Gear

Standard Pumps 850SR series Progressive Cavity/Positive Displacement pumps are engineered for transferring viscous food products, pharmaceutical ingredients and cosmetic lotions from drums, ToteTanks® and kettles.

The progressive cavity design delivers a continuous flow with little product degradation. Maximum viscosity is 25,000 mPAS. SP-850 series are FDA compliant by materials of construction, 3A certified and incorporate a hygienic design that enables operators quickly to disassemble and sanitize.



## Common Applications Features

- Pie Fillings
- Juice Concentrates
- Sauces
- Chocolate
- Lotions
- Shampoo

- 3A certified
- Hygienic Design in FDA Compliant Materials of Construction
- Gentle Product Treatment
- Continuous Flow
- Flow Rates up to 61 l/min
- Discharge Pressure to 12 bar
- Easy to Clean & Maintain
- Variable Speed Electric & Air Motors



## Technical Specifications

**Immersion Lengths:** 27" (700 mm), 39" (1.000 mm), 47" (1.200 mm)  
add 5" (127 mm) to the immersion length for 752 series

**Wetted Components:** 316 stainless steel (Tube & Rotor assembly), Teflon (stator)

**Pump Finish:** 32 Ra

**Motor drives:** SPE-950V, SP-ENC-2-V (both variable speed)

**Inlet/Discharge Size:** 2" (51 mm) or 1,5" (38 mm). Hose Barb not included  
Optional 1,25" (32 mm) hose barb

### Maximum Viscosity:

- **751 Series:** 30.000 cps (mPas)
- **752 & 1851 Series:** 3.000 cps (mPas)

### Maximum Discharge Pressure:

- **751 & 1851 Series:** 6 Bar
- **752 Series:** 12 Bar

### Maximum Flow Rate:

- **1851 Series:** 61 l/min (based on water)
- **751 Series:** 26 l/min (based on water)
- **752 Series:** 43 l/min (based on water)

### Duty Cycle:

Intermittent (30 minutes intervals)

### Max. Temperature:

148 °C

### Max. Solids Size:

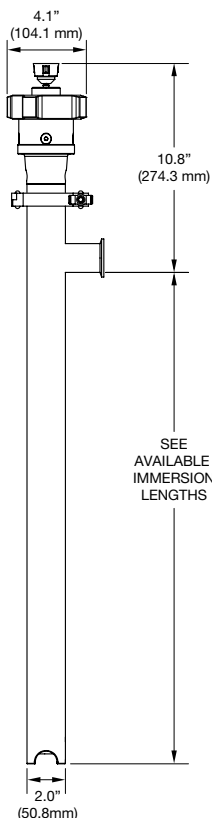
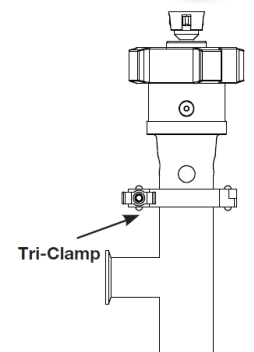
0,25" (6 mm)

### Mechanical Seal:

SiC/Viton/SiC

### Stator Material:

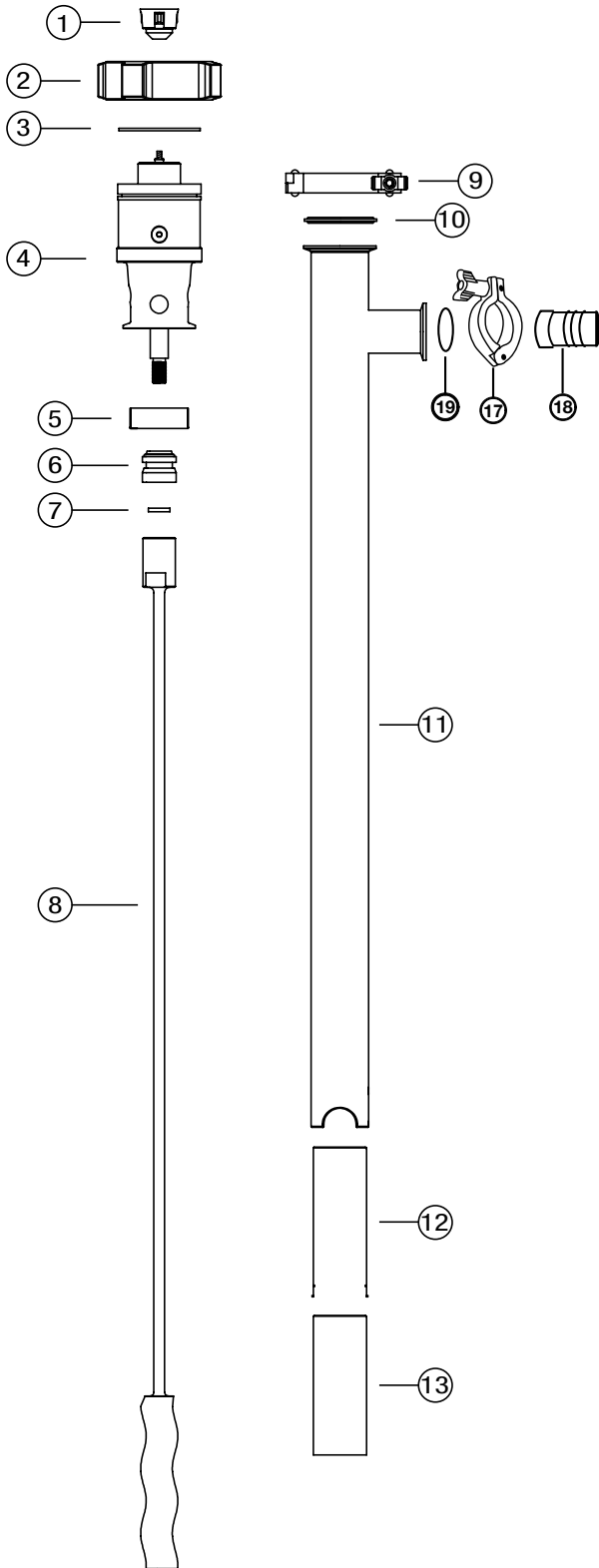
PTFE (Teflon)



## 850SR Series

Model	Length	Weight
SP-850SR-751P-39	39" (1.000 mm)	8,6 kg
SP-850SR-752P-39	39" (1.000 mm)	10,0 kg
SP-850SR-1851P-39	39" (1.000 mm)	10,50 kg
SP-850SR-751P-47	47" (1.200 mm)	10,50 kg
SP-850SR-752P-47	47" (1.200 mm)	11,0 kg
SP-850SR-1851P-47	47" (1.200 mm)	11,40 kg

SP-850SR



Ref #	Description	Part No.	Qty
1	Pump Coupling	1004	1
2	Connection Nut, SS316	8842	1
3	Snap Ring, SS316	8208	1
4	Gear Reduction Unit, SS316	879	1
5	Mechanical Seal Bushing, SS316	851	1
6	Mechanical Seal, SIC	703	1
7	Gasket, PTFE	735	1
8	Drive Shaft/Rotor Assembly, SS316		1
	SP-850SR-751P-39	806	
	SP-850SR-751P-47	807	
	SP-850SR-752P-39	808	
	SP-850SR-752P-47	809	
	SP-850SR-1851P-39	810	
	SP-850SR-1851P-47	811	
9	Tri-Clamp, SS316	856	1
10	Tri-Clamp Gasket, Buna	855	1
11	Outer Tube Assembly, SS316		1
	SP-850SR-39	804	
	SP-850SR-47	805	
12	Stator Sleeve, SS316		1
	SP-850SR-751P	865	
	SP-850SR-752P	866	
	SP-850SR-1851P	867	
13	Stator Insert, PTFE		1
	SP-850SR-751P	852	
	SP-850SR-752P	853	
	SP-850SR-1851P	854	
17	Tri-clamp	833	
18	Hose Barb		
	1.25 (32 mm)	834	
	1.5 (38 mm)	835	
19	Hose Barb Gasket Buna	836	



## SPE-450 Series



Part Number	Enclosure	Power	Watt	V.S.D	Gross WT
SPE-450	TEFC (IP54)	230V/50-60Hz	450	No	3,3 kg
SPE-450V	TEFC (IP54)	230V/50-60Hz	450	Yes	3,3 kg

⚠ Warning: Not suitable for pumping flammable or combustible liquids. Note: V.S.D. = Variable Speed Drive.



## SPE-650 Series



Part Number	Enclosure	Power	Watt	V.S.D	Gross WT
SPE-650	TEFC (IP54)	230V/50-60Hz	650	No	3,3 kg
SPE-650V	TEFC (IP54)	230V/50-60Hz	650	Yes	3,3 kg

⚠ Warning: Not suitable for pumping flammable or combustible liquids. Note: V.S.D. = Variable Speed Drive.



## SPE-950 Series



Part Number	Enclosure	Power	Watt	V.S.D	Gross WT
SPE-950	TEFC (IP54)	230V/50-60Hz	950	No	3,3 kg
SPE-950V	TEFC (IP54)	230V/50-60Hz	950	Yes	3,3 kg

⚠ Warning: Not suitable for pumping flammable or combustible liquids. Note: V.S.D. = Variable Speed Drive.



## SP-280P Series



Part Number	Enclosure	Power	Watt	V.S.D	Gross WT
SP-280P-2	Open Drip Proof (IP44)	220-240V/1/50-60Hz	825	No	4,0 kg
SP-280P-2-V	Open Drip Proof (IP44)	220-240V/1/50-60Hz	825	Yes	4,0 kg

Note: V.S.D. = Variable Speed Drive. LVR= Low Voltage Release.

⚠ Warning: Not recommended for use with the SP-800SR Series pump.



## SP-ENC Series



Part Number	Enclosure	Power	Watt	V.S.D	Gross WT
SP-ENC-2	Open Drip Proof (IP44)	220-240V/1/50-60Hz	825	No	4,0 kg
SP-ENC-2-V	Open Drip Proof (IP44)	220-240V/1/50-60Hz	825	Yes	4,0 kg

Note: V.S.D. = Variable Speed Drive. LVR= Low Voltage Release.



## SP-440EX



Part Number	Enclosure	Power	Watt	V.S.D	LVR	Gross WT
SP-440EX	Explosion Proof	220-240V/1/50-60Hz	1000	Yes	Yes	6,8 kg

RPM (min-max) 1000-12.000.

Note: V.S.D. = Variable Speed Drive

Note: LVR = Low Voltage Release

Atex II 2G Ex d ib IIB T5 Gb

Note: Explosion proof motor regulations require that motors shall be returned to the manufacturer for repair.



## SP-B2

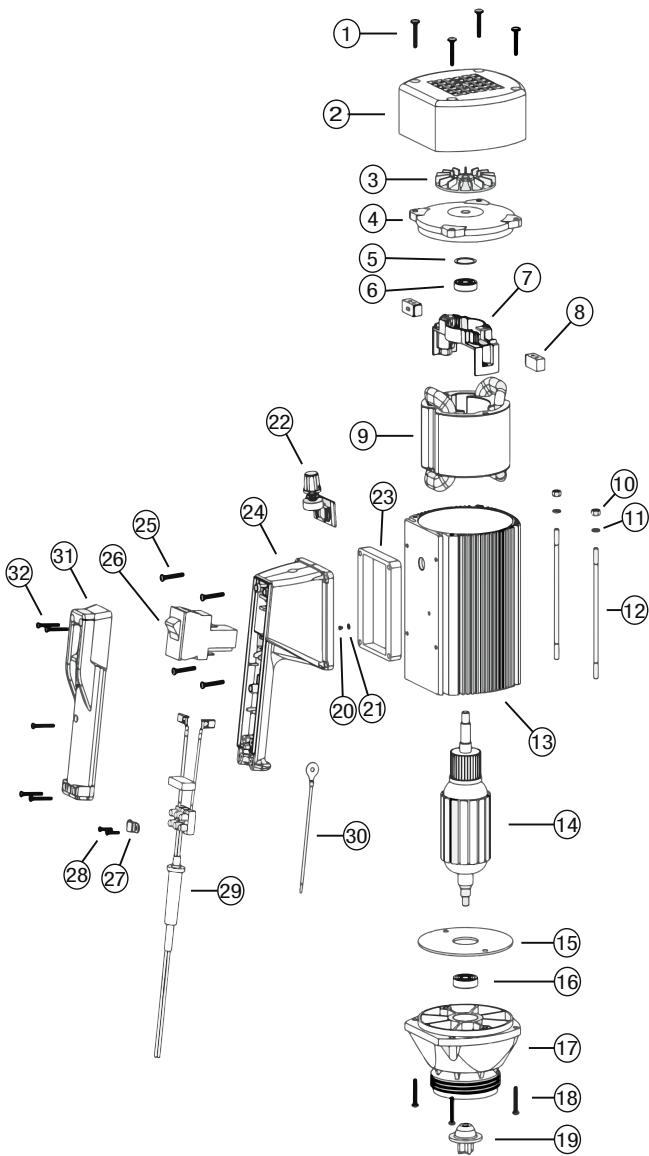


Part Number	Consumption	Max. Inlet Pressure	Output	Gross WT
SP-B2	28 CFM @ 90 psi 13.2 L/sec @ 6,2 bar	100 psi 6,8 bar	¾ HP 560W	1,5 kg
SP-B2P (trigger lock)	28 CFM @ 90 psi 13.2 L/sec @ 6,2 bar	100 psi 6,8 bar	¾ HP 560W	1,5kg



# SP-ENC Series Motor | Spare Parts

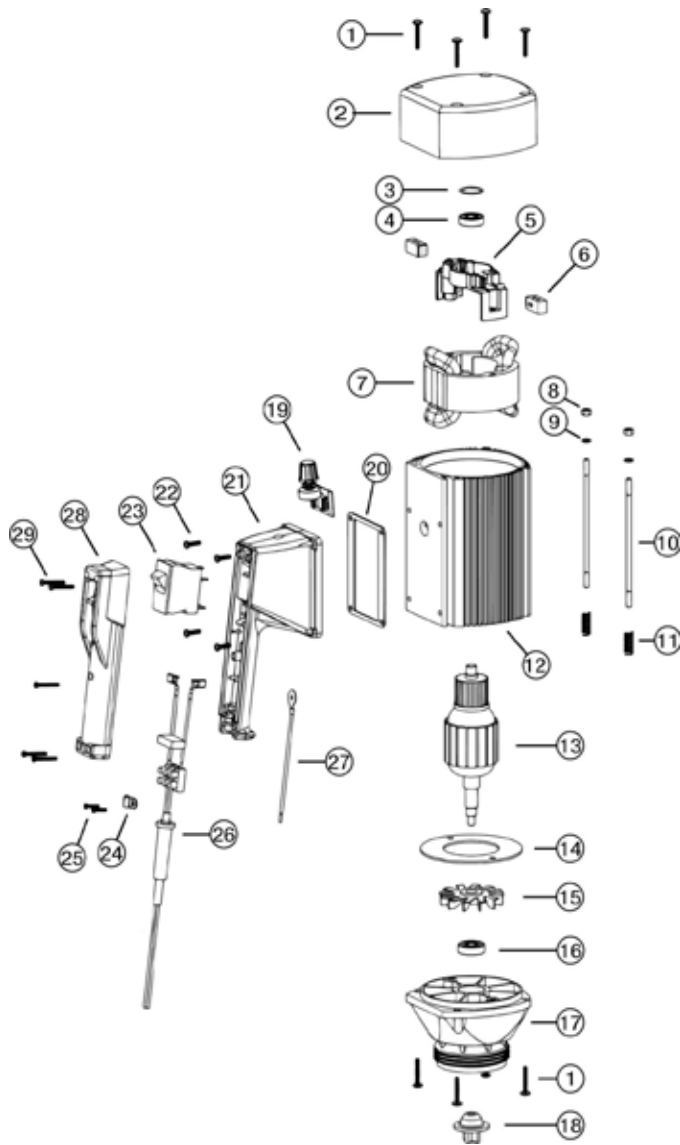
SP-ENC



Ref #	Description	Part Number	Qty
1	Screw, Motor Cover	3130	4
2	Motor Cover	3000	1
3	Fan	3512	1
4	Bearing Cover	3511	1
5	Wave Washer	8125	1
6	Bearing, Upper	8331	1
7	Brush Holder	8508	1
8	Carbon Brushes, 110/220V	8509*	2
9	Stator		1
	220V	3702	
10	Hexagon Nut	8448	2
11	Lock Washer	8071	2
12	Rod Connector	3703	2
13	Motor Housing	3510	1
14	Armature		1
	220V	3701	
15	Guide Disc	3504	1
16	Bearing, Lower	8126	1
17	Lower Housing	8100	1
18	Screw, Lower Housing	8130	4
19	Motor Coupling	8333*	1
20	Ground Screw	8162	1
21	Star Washer	8511	1
22	Speed Potentiometer		1
	220V	9804	
23	Gasket		1
	220V	8167LVR	
24	Switch Housing		1
	Fixed Speed	8001	
	Variable Speed	8010	
25	Screw, Switch Housing		4
	220V	8131LVR	
26	Overload Switch		1
	220V (w/ Low Voltage release)	8704LVR	
27	Cable Clamp	8001-1	1
28	Screw, Cable Clamp	8001-2	2
29	Power Cord		1
	110V	8360-KIT	
	220V	8705-KIT	
30	Earthing Lead	8183	1
31	Switch Cover	8002	1
32	Screw, Switch Cover	8221	5
N/A	Repair Kit* (Includes Items 8 & 19)		1
	110V - 220V	9055	

# SP-280P Series Motor | Spare Parts

SP-280P-2



Ref #	Description	Part number	Qty
1	Screw, Motor Cover/Lower Housing	8130P	8
2	Motor Cover	8000	1
3	Wave Washer	8125	1
4	Bearing, Upper	8331	1
5	Brush Holder	8508	1
6	Carbon Brushes, 110/220V	8509*	2
7	Stator		1
	110V	8503	
	220V	8702	
8	Hexagon Nut	8448	2
9	Lock Washer	8071	2
10	Rod Connector	8506	2
11	Pressure Spring	8507	2
12	Motor Housing	8510P	1
13	Armature		1
	110V	8502	
	220V	8701	
14	Guide Disc	8504	1
15	Fan	8512	1
16	Bearing, Lower	8126	1
17	Lower Housing	8100	1
18	Motor Coupling	8333*	1
19	Speed Potentiometer		1
	110V	9803	
	220V	9804	
20	Gasket		1
	110V	8167	
	220V	8167LVR	
21	Switch Housing		1
	Fixed Speed	8001	
	Variable Speed	8010	
22	Screw, Switch Housing		4
	110V	8131	
	220V	8131LVR	
23	Overload Switch		1
	110V	8611	
	220V (w/ Low Voltage Release)	8704LVR	
	220V (w/o Low Voltage Release)	8704	
24	Cable Clamp	8001-1	1
25	Screw, Cable Clamp	8001-2	2
26	Power Cord		1
	110V	8360-KIT	
	220V	8705-KIT	
27	Earthing Lead	8183	1
28	Switch Cover	8002	1
29	Screw, Switch Cover	8221	5
N/A	Repair Kit* (Includes Items 6 & 18)		1
	110V - 220V	9055	

# Sanitary Progressive Cavity Pumps | SP-800DD Direct Drive

Standard Pump 800DD series pumps are engineered for transferring viscous food products, pharmaceutical ingredients and cosmetic lotions from drums, ToteTanks® and kettles. The progressive cavity design delivers a continuous, smooth flow with little product degradation. Maximum viscosity is 100,000 cps (mPAS).



## Common Applications Features

- |   |  |
|---|--|
| <ul style="list-style-type: none"> <li>• Pie Fillings</li> <li>• Juice Concentrates</li> <li>• Sauces</li> <li>• Chocolate</li> <li>• Lotions</li> <li>• Shampoo</li> </ul> | <ul style="list-style-type: none"> <li>• Hygienic Design in FDA Compliant Materials of Construction</li> <li>• Gentle Product Treatment</li> <li>• Continuous Flow</li> <li>• Flow Rates up to 45 l/min</li> <li>• Discharge Pressure to 12 bar</li> <li>• Easy to Clean &amp; Maintain</li> </ul> |
|---|--|

## Technical Specifications

**Immersion Lengths:** 39" (1.000 mm), 47" (1.200 mm)  
add 5" (127 mm) to the immersion length for 752 series

**Wetted Components:** 316 stainless steel (Tube & Rotor assembly), Teflon (stator)

**Pump Finish:** 32 Ra

**Motor drives:** IEC motor and Air motor

**Inlet/Discharge Size:** 2" (51 mm) or 1,5" (38 mm). Hose Barb not included  
Optional 1,25" (32 mm) hose barb

### Motor Drives

**Maximum Viscosity:**

- **751 & 752 Series:** 100.000 cps (mPas)
- **851 Series:** 10.000 cps (mPas)

**Maximum Discharge Pressure:**

- **751 & 1851 Series:** 6 Bar
- **752 Series:** 12 Bar

**Maximum Flow Rate:**

- **1851 Series:** 45 l/min (based on water)
- **751 Series:** 26 l/min (based on water)
- **752 Series:** 26 l/min (based on water)

**Duty Cycle:** Continuous

**Max. Temperature:** 148 °C

**Max. Solids Size:** 0,25" (6 mm)

**Mechanical Seal:** SiC/Viton/SiC

**Stator Material:** PTFE (Teflon)



Electric

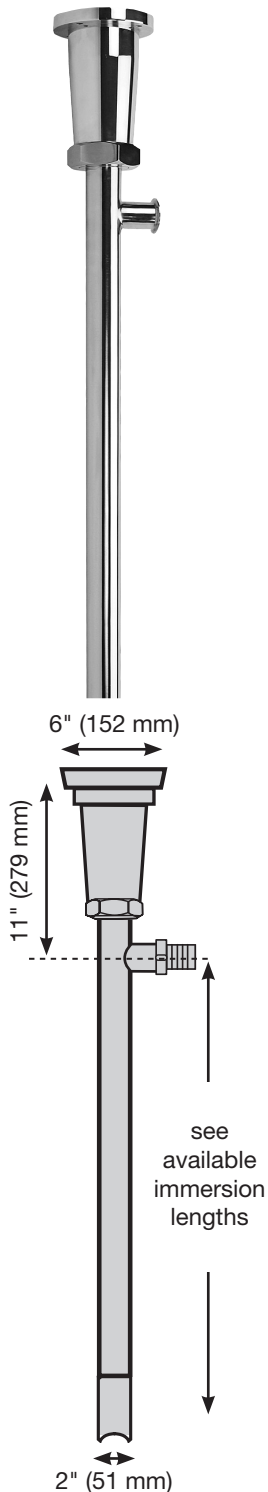


Air Motor

## 800DD & 800DD Bag Liner Series

Model	Length	Weight
SP-800SDD751P-39	39" (1.000 mm)	10,80 kg
SP-800DD-752P-39	44" (1.120 mm)	11,30 kg
SP-800DD-1851P-39	39" (1.000 mm)	10,43 kg
SP-800DD-751P-47	47" (1.200 mm)	11,30 kg
SP-800DD-752P-47	52" (1.320 mm)	11,80 kg
SP-800DD-1851P-47	47" (1.200 mm)	11,30 kg
SP-800SDD751P-39-BL	39" (1.000 mm)	10,80 kg
SP-800DD-752P-39-BL	44" (1.120 mm)	11,30 kg
SP-800DD-1851P-39-BL	39" (1.000 mm)	10,43 kg
SP-800DD-751P-47-BL	47" (1.200 mm)	11,30 kg
SP-800DD-752P-47-BL	52" (1.320 mm)	11,80 kg
SP-800DD-1851P-47-BL	47" (1.200 mm)	11,30 kg

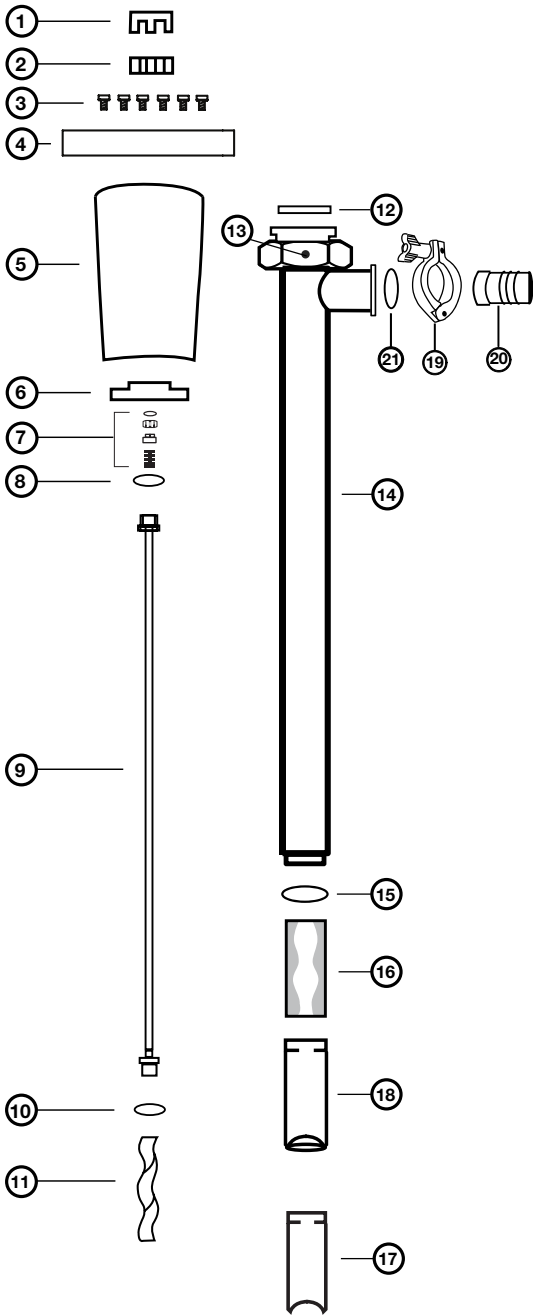
### Bag Liner Series Pump Intake





SP-800DD

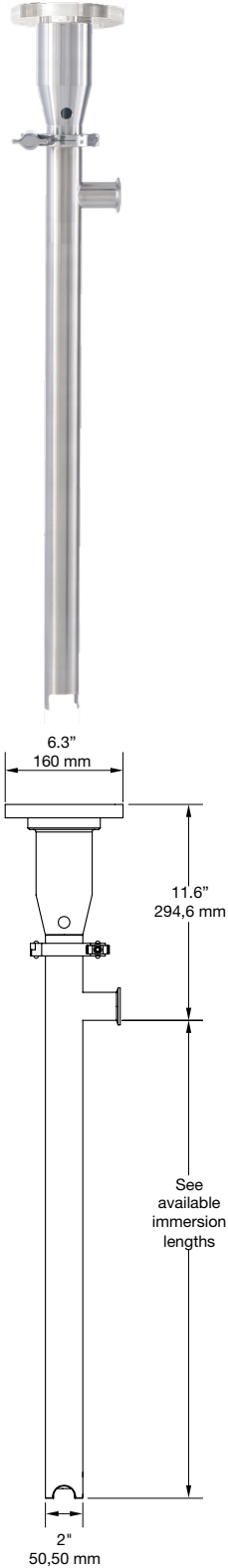
Ref # Description Part No. Qty



Ref #	Description	Part No.	Qty
1	Motor Coupling (Not Included with Pump Tube)		1
	SP-502, SP-504, SP-508 & SP-A8 Models- 24mm	740	
	SP-A4 Model - 14mm	744	
	SP-A6 Model - 19mm	747	
	SP-522, SP-524 & SP-528 Models- 28mm	746	
2	Coupling Insert	745	1
3	Flange Bolt	758	6
4	Motor Mount Flange, Aluminum (See Page 10)		1
5	Bearing Housing Assembly, Aluminum	759	1
6	Mechanical Seal Bushing, SS316	702	1
7	Mechanical Seal, SIC	703	1
8	Gasket, PTFE	735	1
9	Drive Shaft, SS316		1
	SP-1851-39	705	
	SP-751-39, SP-752-39, SP-1851-47	706	
	SP-751-47, SP-752-47	707	
10	Gasket, PTFE	731	1
11	Rotor, SS316		1
	Size 751	708	
	Size 752	709	
	Size 1851	710	
12	Gasket, PTFE	738	1
13	Set Screw, SS316	757	1
14	Outer Tube Assembly, SS316		1
	SP-1851-39	801	
	SP-751-39, SP-752-39, SP-1851-47	802	
	SP-751-47, SP-752-47	803	
15	Ring, SS316 (For Use with PTFE Stator Only)	0016	1
16	Stator Insert, PTFE		1
	Size 751	822	
	Size 752	823	
	Size 1851	824	
17	Stator Tube, SS316		1
	SP-800DD-751P-39 & SP-800DD-751P-47	874	
	SP-800DD-752P-39 & SP-800DD-752P-47	875	
	SP-800DD-1851P-39 & SP-800DD-1851P-47	876	
18	Stator Tube, Bag Liner Series, SS316		1
	SP-800DD-751P-39BL & SP-800DD-751P-47BL	874BL	
	SP-800DD-752P-39BL & SP-800DD-752P-47BL	875BL	
	SP-800DD-1851P-39BL & SP-800DD-1851P-47BL	876BL	
19	Tri-Clamp	833	1
20	Hose Barb		1
	1.25 (32 mm)	834	
	1.5 (38 mm)	835	
21	Hose Barb Gasket Buna	836	1

# Sanitary Progressive Cavity Pumps | SP-850DD Direct Drive

Standard Pumps 850DD series Progressive Cavity/Positive Displacement pumps are engineered for transferring viscous food products, pharmaceutical ingredients and cosmetic lotions from drums, ToteTanks® and kettles. The progressive cavity design delivers a continuous flow with little product degradation. Maximum viscosity is 100.000 mPAS. SP-850 series are FDA compliant by materials of construction, 3A certified and incorporate a hygienic design that enables operators quickly to disassemble and sanitize.



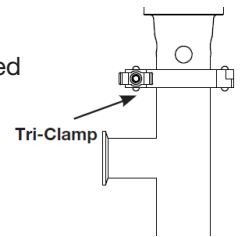
## Common Applications Features

- |   |  |
|---|--|
| <ul style="list-style-type: none"> <li>• Pie Fillings</li> <li>• Juice Concentrates</li> <li>• Sauces</li> <li>• Chocolate</li> <li>• Lotions</li> <li>• Shampoo</li> </ul> | <ul style="list-style-type: none"> <li>• ATEX and 3A certified</li> <li>• Hygienic Design in FDA Compliant Materials of Construction</li> <li>• Gentle Product Treatment</li> <li>• Continuous Flow</li> <li>• Flow Rates to 45 l/min</li> <li>• Discharge Pressure to 12 bar</li> <li>• Easy to Clean &amp; Maintain</li> <li>• Variable Speed Electric &amp; Air Motors</li> </ul> |
|---|--|



## Technical Specifications

- Immersion Lengths:** 39" (1.000 mm), 47" (1.200 mm)
- Wetted Components:** 316 stainless steel (Tube & Rotor assembly), Teflon (stator)
- Pump Finish:** 32 Ra
- Motor drives:** IEC motor and Air motor
- Inlet/Discharge Size:** 2" (51 mm) or 1,5" (38 mm). Hose Barb not included  
Optional 1,25" (32 mm) hose barb
- Maximum Viscosity:**
- **751 Series:** 100.000 cps (mPas)
  - **752 Series:** 30.000 cps (mPas)
  - **1851 Series:** 3.000 cps (mPas)
- Maximum Discharge Pressure:**
- **751 & 1851 Series:** 6 Bar
  - **752 Series:** 12 Bar
- Maximum Flow Rate:**
- **751 Series:** 38 l/min (based on water)
  - **752 Series:** 43 l/min (based on water)
  - **1851 Series:** 61 l/min (based on water)
- Duty Cycle:** Continuous
- Max. Temperature:** 148 °C
- Max. Solids Size:** 0,25" (6 mm)
- Mechanical Seal:** SiC/Viton/SiC
- Stator Material:** PTFE (Teflon)
- Directive & Classification:** ATEX 2014/34/EU, EX II 2G EX h IIB T4 Gb

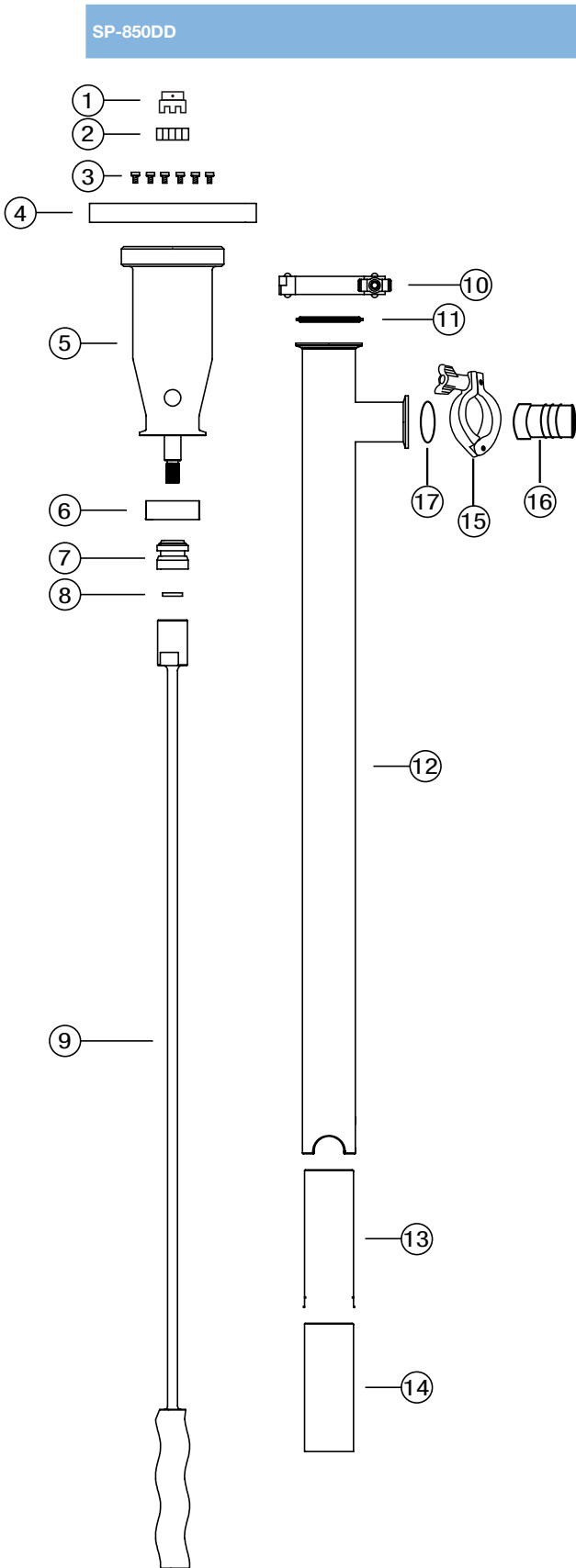


## Motor Drives



## 850DD Series

Model	Length	Weight
SP-850SDD751P-39	39" (1.000 mm)	10,80 kg
SP-850DD-752P-39	39" (1.000 mm)	11,30 kg
SP-850DD-1851P-39	39" (1.000 mm)	10,43 kg
SP-850DD-751P-47	47" (1.200 mm)	11,30 kg
SP-850DD-752P-47	47" (1.200 mm)	11,80 kg
SP-850DD-1851P-47	47" (1.200 mm)	11,30 kg

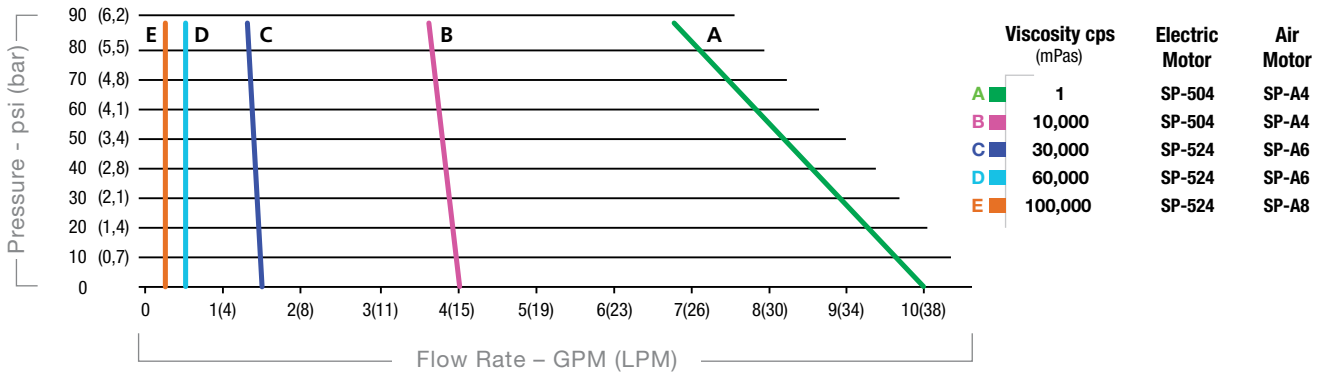


Ref #	Description	Part No.	Qty
1	Motor Coupling (Not Included with Pump Tube)		1
	SP-502, SP-504, SP-508 & SP-A8 Models - 24mm	740	
	SP-A4 Model - 14mm	744	
	SP-A6 Model - 19mm	747	
	SP-522, SP-524 & SP-528 Models- 28mm	746	
2	Coupling Insert	745	1
3	Flange Bolt, SS304	758	6
4	Motor Mount Flange, Aluminum (See Page 17)		1
5	Bearing Housing Assembly, SS316L	859	1
6	Mechanical Seal Bushing, SS316L	851	1
7	Mechanical Seal, SIC	703	1
8	Gasket, PTFE	735	1
9	Drive Shaft/Rotor Assembly, SS316L		1
	SP-850DD-751P-39	806	
	SP-850DD-751P-47	807	
	SP-850DD-752P-39	808	
	SP-850DD-752P-47	809	
	SP-850DD-1851P-39	810	
	SP-850DD-1851P-47	811	
10	Tri-Clamp, SS316	856	1
11	Tri-Clamp Gasket, Buna	855	1
12	Outer Tube Assembly, SS316L		1
	SP-850DD-39	804	
	SP-850DD-47	805	
13	Stator Sleeve, PTFE		1
	SP-850DD-751P	865	
	SP-850DD-752P	866	
	SP-850DD-1851P	867	
14	Stator Insert, PTFE		1
	SP-850DD-751P	852	
	SP-850DD-752P	853	
	SP-850DD-1851P	854	
15	Tri-Clamp	833	1
16	Hose Barb		1
	1.25 (32 mm)	834	
	1.5 (38 mm)	835	
17	Hose Barb Gasket Buna	836	1

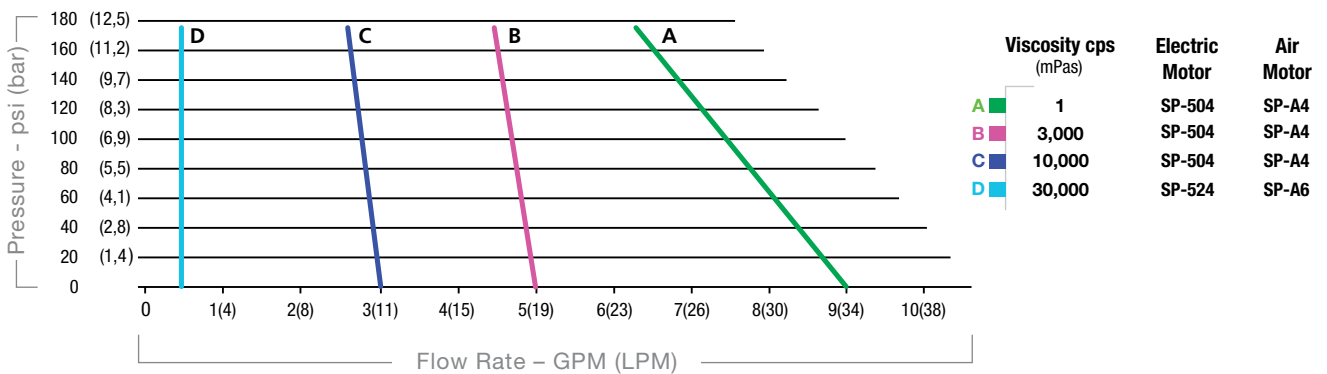


## Performance Curves

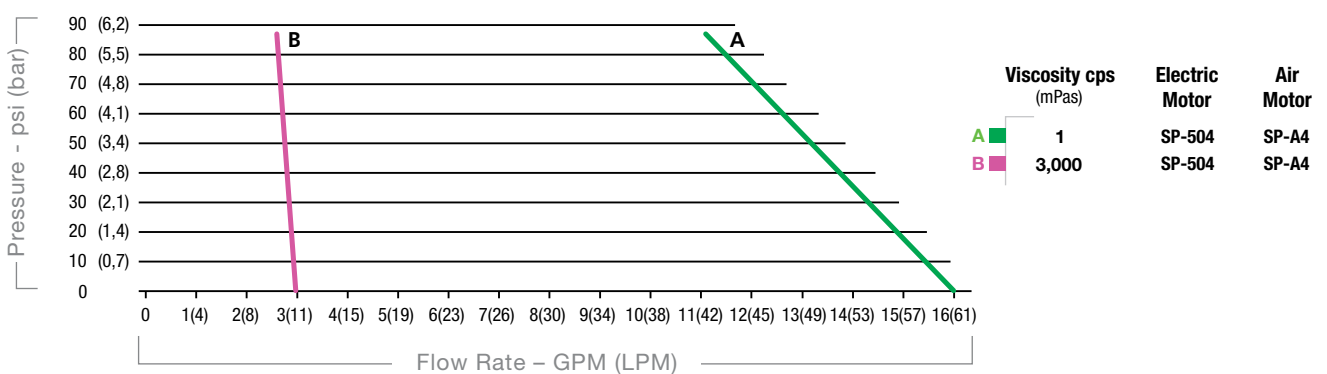
### 751 Series Pumps



### 752 Series Pumps



### 1851 Series Pumps



- Performance Curves are intended to be used as a guide only as individual results may vary.
- Pump Stator Elastomers (Teflon or Buna) may vary performance.
- Performance Curves were created using a 900 RPM motor. Reducing motor speed will decrease pump performance. Do NOT increase motor speed above 1,000 RPM's.
- Pump Curves were created with a Newtonian Polymer (Viscosity remains constant regardless of shear). Non-Newtonian materials (viscosity does not remain constant with shearing) may vary performance.

**WARNING:** Do NOT increase motor speed above 1,000 RPM's. Failure to comply will result in pump failure and possible injury.



### Washdown Electric Motors — 230-460V / 380-415V / 3 / 50-60 Hz

(Interchangeable with DD Series pumps on pages 18 & 20)

Part No.	HP	KW	RPM	Enclosure	Frame	Flange	Gross WT
SP-504	0.75	0.55	750-900	Washdown	90LC	B14/C140	18 kg
SP-524*	1.5	1.1	750-900	Washdown	100LC	B14/C160	25 kg

\*indicates pump requires two flanges

### Sanitary Pneumatic Motor

(Interchangeable with DD Series pumps on pages 18 & 20)



Part No.	HP	KW	RPM	Enclosure	Frame	Flange	Gross WT
SP-A4	2	1,5	300-900	80 CFM @ 100 psi 37 L/Sec @ 7 Bar	IEC#72/D71	1/4" (6.35)	5.4 kg
SP-A6	4	3,0	300-900	130 CFM @ 100 psi 65 L/Sec @ 7 Bar	IEC#72/D80	1/2" (12.7)	11.0 kg
SP-A8	5	3,7	300-900	170 CFM @ 100 psi 80 L/Sec @ 7 Bar	IEC#72/D90	1/2" (12.7)	11.8 kg

### Motor Mounting Flange

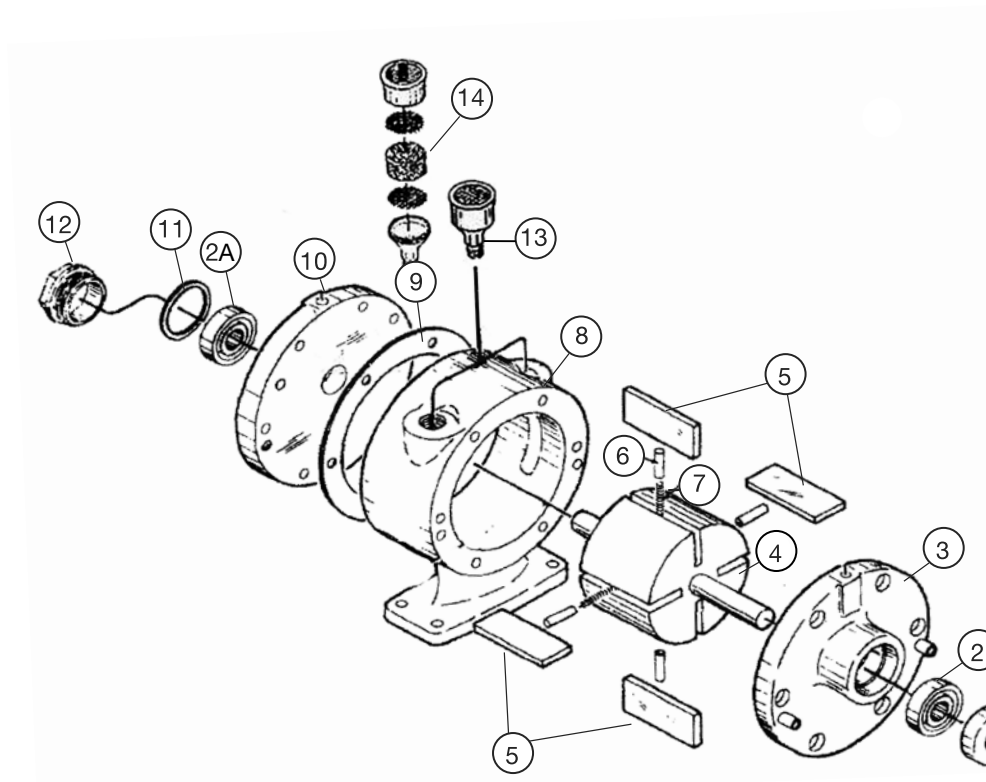
Model Number	Flange Part No.	Material of Construction	Frame Size
SP-504	861	SS304	90LC
SP-522	863	SS304	100LC
SP-A4	860	SS304	D71
SP-A6	862	SS304	D80
SP-A8	862	SS304	D90

Note: Following items to be ordered separately: 833 (tri-clamp), 835 (hose barb), 836 (gasket) for SP-800DD/SP-850DD.

Flange, coupling insert and flange bolts included with the pump. Please consult table above to select proper flange size.

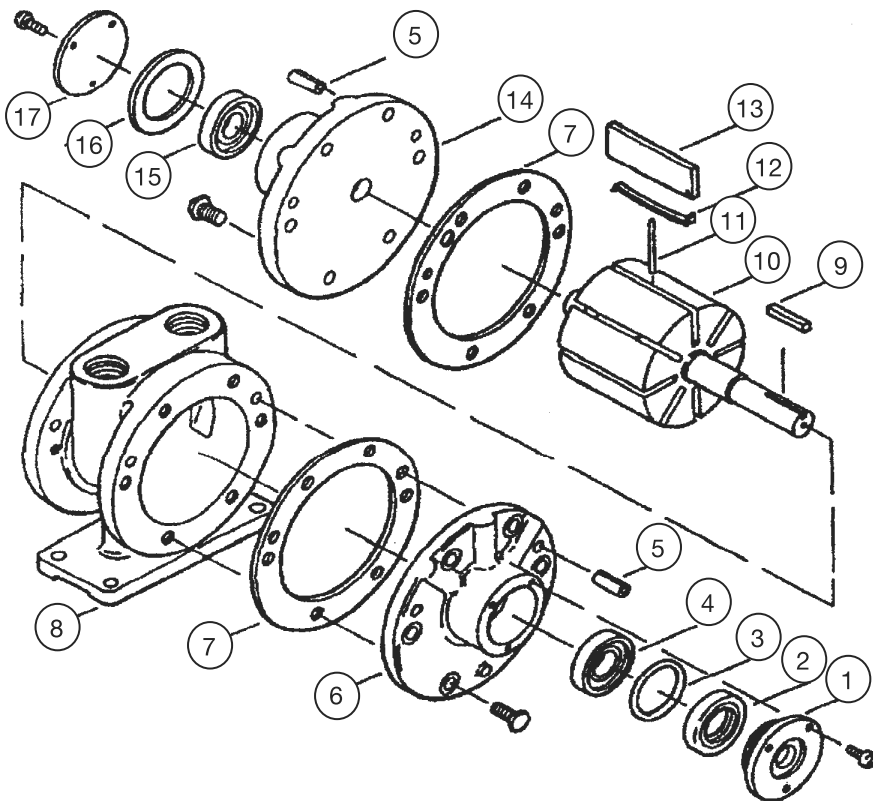
Ref #	Description	Part Number	Qty
	Service kit – only service kits are available for parts replacement * Denotes parts included in the Service Kit	K206C	1
1	Shaft Seal	B2328*	1
2	Bearing, Drive End	AB519*	1
2A	Bearing, Dead End	AA299J*	1
3	End Plate, Drive	AK425A	1
4	Rotor Assembly	AM455C	1
5*	Vane		4
6*	Push Pin		4
7*	Vane, Spring		2
8	Body	AM410M	1
9	Shims	B330*	2
10	End Plate, Dead	AB622M	1
11	End Cap, Gasket	AA46*	1
12	End Cap, Dead	AM307D	1
13	Muffler Assembly	AC980	1
14	Muffler Felt	AC983*	1

Body styles may differ, depending on specific models.

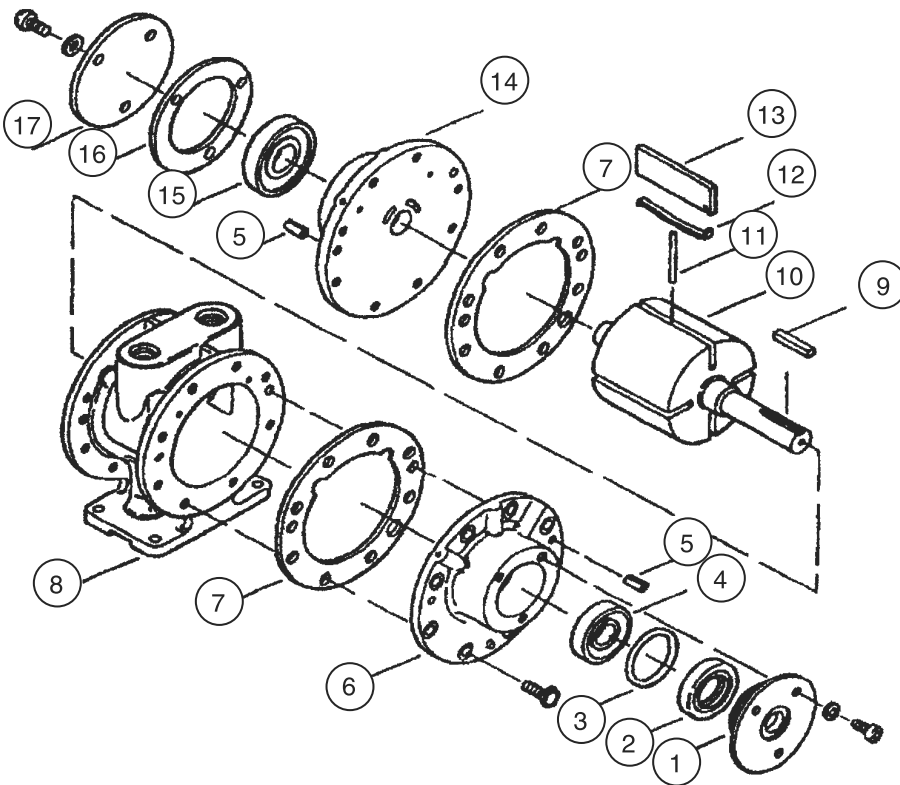




Ref #	Description	Part Number	Qty
	Service kit – only service kits are available for parts replacement		
		K281A	1
	* Denotes parts included in the Service Kit		
1	End Cap, Drive End	AC998	1
2	Shaft Seal	AK423*	1
3	O-Ring	AC989*	1
4	Bearing, Drive End	AC894B*	1
5	Dowel Pin	AB162C	4
6	End Plate, Drive	AK424	1
7	Body Gasket	AD641*	2
8	Body	AD665D	1
9	Key	AK422	1
10	Rotor Assembly	AD648E	1
11	Push Pin	AD655A*	2
12	Vane, Spring	AD692*	4
13	Vane	AD691*	4
14	End Plate, Dead	AD651	1
15	Bearing, Dead End	AB519*	1
16	End Cap, Gasket	AD644*	1
17	End Cap, Dead End	AD643	1
	Muffler Assembly	AC990	1
	Felt	AC993*	1



Ref #	Description	Part Number	Qty
	Service kit – only service kits are available for parts replacement		
		K282A	1
	* Denotes parts included in the Service Kit		
1	End Cap, Drive End	AC998	1
2	Shaft Seal	AK423*	1
3	O-Ring	AC989*	1
4	Bearing, Drive End	AC894B*	1
5	Dowel Pin	AB162C	4
6	End Plate, Drive	AK424	1
7	Body Gasket	AD641*	2
8	Body	AD665D	1
9	Key	AK422	1
10	Rotor Assembly	AD648E	1
11	Push Pin	AD655A*	2
12	Vane, Spring	AD692*	4
13	Vane	AD691*	4
14	End Plate, Dead	AD651	1
15	Bearing, Dead End	AB519*	1
16	End Cap, Gasket	AD644*	1
17	End Cap, Dead End	AD643	1
	Muffler Assembly	AC990	1
	Felt	AC993*	1



# Accessories Sanitary Drum Pumps



## Discharge Hose Clamp

Part Number	Description
9038	Malleable Iron Two Bolt Clamp Gripping Ridges, Reinforced Lugs Hose Size from 1-48/64" to 2-3/64" (44,50 mm to 52 mm) Torque Value: 27 ft. lbs. (3,75 kg/m) for Proper Attachment



## Sanitary Spout

Part Number	Description
9004	Sanitary Spout, SS316L, 1.5" (38 mm), OD 30" (760 mm) Length
9004-18	Sanitary Spout, SS316L, 1.5" (38 mm), OD 18" (457 mm) Length
833	Tri-Clamp, 1,5", SS316
834	Hose Barb 1,25" (32 mm)
835	Hose Barb 1,5" (38 mm)



## Sanitary Pump Tube Wiper

Part Number	Description
9009	Sanitary Pump Tube Wiper, Buna



## Hand Nozzles

Part Number	Description	Dimensions	Seal Material
9095	SS 316	1" O.D. (25 mm) Hose Barb intake	Viton
9095	SS 316	3/4" O.D. (25 mm) Hose Barb intake	Viton
SPE-9097	SS 316	1" O.D. (25 mm) Hose Barb intake	PTFE
SPE-9098	SS 316	3/4" O.D. (25 mm) Hose Barb intake	PTFE

## Goodyear Blue Food Flexwing Hose

Part Number	Description
9037-A	1" Premium foodhose for suction and discharge: Inner Liner: NBR 3 tube, oil and fat resistant. Twin spring steel spiral. Outer liner: CR, blue, oil and fat resistant cover, high flexibility. Conforms to FDA-3A and USDA standards. Branding: "Goodyear Blue Food Flexwing NBR3PN10BAR FDA 3A USDA".

Nom. ID DIN/in/Dash	Nom. OD mm	Bend Radius mm	Vacuum in/mm	Weight kg/m	Temp. Range °C
40 /1.5 /-24	50,5	500	27/685,8	1,59	-34 to 104

## Chemical, AtEx and Food Hose

Part Number	Description
9034M-B1	3/4" I.D. x 1.22" O.D. (19 x 31 mm)
9034M-B2	1" x 1.50" O.D. (25 x 38 mm)
9034M-B3	1 1/2" I.D. x 2.01" O.D. (38 x 51mm)
	Max. Operating Pressure: 16 bar Datasheet on request.



# Accessories Sanitary Drum Pumps



## Hand Clamp

Part Number	Description
9005	Stainless Steel 316, Engineered to Vertically Stabilize Pump



## Pump Hanger

Part Number	Description
743	Pump Hanger Provides a Convenient Solution for Attaching the Pump to a Hoist System

## Lifting Device

Suitable for Progressive Cavity Pumps for pumping from drums and IBC's



<b>Description</b>	Stand with pneumatic lifting mechanism
<b>Max. Lifting Weight</b>	90 kg
<b>Power Supply</b>	Depending on the mounted equipment (drum pump or mixer). automatic on/off at upper and lower end of lifting range other power supply, please contact your distributor

### Outer Dimensions (mm):

<b>Outside</b>	1010 mm x 1600 mm
<b>Inside</b>	850 mm (to fit to an IBC container)
<b>Heights</b>	App. 2000 mm
<b>Total Lift</b>	App. 1250 mm
<b>Total Height</b>	App. 2900 mm

### **Material/Construction:**

<b>Anodized Extruded Aluminium Profile</b>	80 mm x 80 mm
<b>Wheels</b>	2 x swivel castors, 2 x fixed castors
<b>Assembled</b>	Semi



## **Three year limited warranty**

---

Standard Pump Europe warrants, subject to the conditions below, through either Standard Pump Europe, its subsidiaries, or its authorized distributors, to repair or replace free of charge, including labor, any part of this equipment which fails within three years of delivery of the product to the end user. Such failure must have occurred because of defect in material or workmanship and not as a result of operation of the equipment other than in accordance with the instructions given in this material. Specific exceptions include:

- Consumable items such as motor brushes, bearings, couplings and impellers. (Motor brushes typically have a life span of approximately 250 hours. This will vary with the manner in which the motor is used).
- non-legacy Unibloc Hygienic Technologies, LLC products, subject to one year limited warranty.

Conditions of exceptions include:

- Equipment must be returned by prepaid carriage to Standard Pump Europe, its subsidiary or authorized distributor.
- All repairs, modifications must have been made by or with express written permission by Standard Pump Europe, its subsidiary or authorized distributor
- Equipment which have been abused, misused, or subject to malicious or accidental damage or electrical surge are excluded.

Warranties purporting to be on behalf of Unibloc Hygienic Technologies, LLC. made by any person, including representatives of Unibloc Hygienic Technologies, LLC, its subsidiaries, or its distributors, which do not fall within the terms of this warranty shall not be binding upon Unibloc Hygienic Technologies, LLC unless expressly approved in writing by a Director or Manager of Standard Pump Europe. Information for returning pumps Equipment which has been contaminated with, or exposed to, bodily fluids, toxic chemicals or any other substance hazardous to health must be decontaminated before it is returned to Unibloc Hygienic Technologies, LLC, or its distributor. A returned goods authorization number (RGA #) issued by Standard Pump Europe, its subsidiary or authorized distributor, must be included with the returned equipment. The RGA # is required if the equipment has been used. If the equipment has been used, the fluids that have been in contact with the pump and the cleaning procedure must be specified along with a statement that the equipment has been decontaminated.

**STANDARD PUMP**  
*Europe*

Rønnekrogen 2  
3400 Hillerød  
Denmark

Tel. +45 7023 2100

[www.standard-europe.eu](http://www.standard-europe.eu)

# Heating Jackets for 200 ltr. drums & 1000 ltr. IBC

Standard Pump Europe heating jackets are the right solution for keeping media at the required temperature. They are made of water resistant materials and are IP 40 classified (IP54 on request). The heating jackets come with quick release buckles for easy installation and removal. All our heating jackets are supplied with 3 meters of braided power cable and fitted with a 0 to +90°C capillary thermostat. The heating jackets are suitable for metal, PP, PE drums and containers.



## Heating Jackets for 200 ltr. drums

**Part Number** SPE-0200-00  
**Power** 230V AC – 1 x 1200 W  
**Dimensions** 1990 x 800 mm  
**Temperature** 0 – 90°C

**Part Number** SPE-0200-01  
**Power** 230V AC – 1 x 530 W  
**Dimensions** 1990 x 450 mm  
**Temperature** 0 – 90°C

**Part Number** SPE-0200-LID (to be ordered separately)  
 Insulation lid for 200 ltr. drums

## High Temperature Heating Jacket for 200 ltr. drums

**Part Number** SPE-0200-02  
**Power** 230V AC – 1 x 1200 W  
**Dimensions** 1990 x 800 mm  
**Temperature** 0 – 200°C

**Part Number** SPE-0200-LID (to be ordered separately)  
 Insulation lid for 200 ltr. drums



## Heating Jackets for 1000 ltr. IBCs

**Part Number** SPE-1050-02  
**Heating Zones** 2  
**Power** 230V AC – 2 x 1000 W  
**Dimensions** 4400 x 1000 mm  
**Temperature** 0 – 90°C

**Part Number** SPE-1050-03  
**Heating Zones** 3  
**Power** 230V AC – 3 x 1000 W  
**Dimensions** 4400 x 1000 mm  
**Temperature** 0 – 90°C

**Part Number** SPE-1050-LID (to be ordered separately)  
 Insulation lid for IBC



## Base heater for 200 ltr. drums

**Part Number** SPE-0200-BASE  
**Diameter** 550 mm  
**Thermostat** 0 – 120°C  
**Power** 230V AC – 900W

# AtEx Heating Jackets for 200 ltr. drums & 1000 ltr. IBC

Standard Pump Europe ATEX certified heating jackets are the right solution for heating and maintaining media at the required temperature. They are made of water resistant materials and are IP 65 classified. The ATEX certified heating jackets come with quick release buckles for easy installation and removal. The heating jackets are suitable for metal and PE drums and containers. Complete PTFE (Teflon®) coating for maximum long-life cycle and highest reliability against acids, solvents etc.



Heating jacket

## AtEx Heating Jackets for 200 ltr. drums

<b>Part Number</b>	SPE-0200-EX
<b>Power</b>	230V AC – 1 x 1050 W
<b>Heating Element</b>	Self-limiting
<b>Temperature Range</b>	To be specified
<b>Dimensions</b>	1990 x 800 mm

<b>Part Number</b>	SPE-0200-LIDEX (to be ordered separately) Insulation lid for 200 ltr. drums
--------------------	--



Heating jacket

## AtEx Heating Jackets for 1000 ltr. IBCs

<b>Part Number</b>	SPE-1000-EX
<b>Heating Zones</b>	2
<b>Power</b>	230V AC – 1 x 1500 W
<b>Heating Element</b>	Self-limiting
<b>Temperature Range</b>	To be specified
<b>Dimensions</b>	4400 x 1000 mm

<b>Part Number</b>	SPE-1000-LIDEX (to be ordered separately) Insulation lid for IBC
--------------------	---

## Technical Specifications

<b>Heating Element</b>	Self-limiting
<b>Ambient Temperature</b>	- 55°C – + 55°C (jackets for higher temperature on request)

### Directive and Classification

AtEx 2014 / 34 / EC – II 3G Ex e II T2 – T5

# PlusAir

- the brand of air-operated double diaphragm (AODD) pumps

**PlusAir** is a product line of Standard Pump Europe and offers a wide range of AODD pumps for many different industries, e.g. Automotive, Chemicals, Paints, Inks or Wastewater to meet requirements in all industries.

**PlusAir** pumps are made by one of the world-wide leading pump manufacturers who has more than half a century of experience in developing and making AODD pumps.

**PlusAir** AODD pumps ranging from the light weight Polypropylene (1,3 kg) version with a maximum capacity of 11,7 L/min, to the Stainless Steel version (104 kg) with a maximum capacity of 814 L/min.

**PlusAir** pumps are available in Polypropylene, Groundable Acetal, Aluminium, Stainless Steel, Cast Iron and PVDF.

**PlusAir** FDA Compliant Pumps are specifically designed for Food Ingredients, Pharmaceutical & Cosmetic applications where 3A, USDA or EHEDG Standards are not required.

**FDA** All FDA pumps include 316SS passivated satin finished housings, PTFE check valves and capped sanitary center disks. Pumps with aluminum motor become grey PTFE coating. 10RA to 20RA interior Mechanical polish available for some models.

**ATEX** ATEX certified pumps are available in many different sizes, - body and diaphragm materials



For further details please contact your local distributor or Standard Pump Europe.



# QUANTM™

- the brand of Electric Operated Double Diaphragm (EODD) pumps

Graco **QUANTM** isn't just another electric pump: it's a game-changer!

**QUANTM** features a revolutionary electric motor design that will reduce operational costs and keeps your production lines running. It is a perfect fit for nearly any fluid applications and a drop-in replacement for existing pumping technologies.

**QUANTM** is quieter, lighter, more reliable, and easier for anyone in your team to maintain.

**QUANTM** is available in both **Industrial-** and **Hygienic versions.**

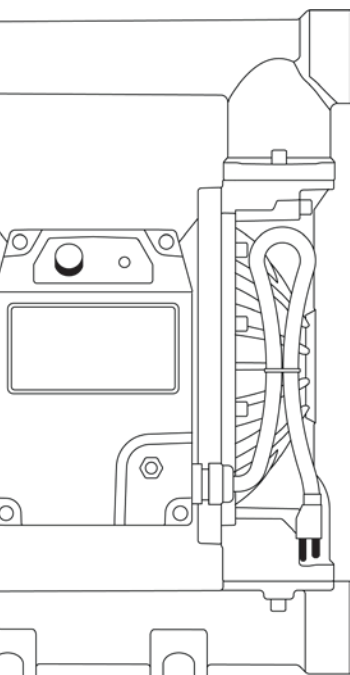
## Benefits of QUANTM - Electric Operated Double Diaphragm Pump?

- QUANTM Operates Like AODD Pumps, While Enjoying the Benefits of an Electric Drive
- Competitive Cost Compared to AODD pumps
- No Gear Box Required
- Quiet
- No Freezing
- QUANTM use up to 8X Less Energy than an AODD.
- Reduce or Eliminate High Energy Consuming Air-Compressors and see an ROI in Less than 24 Months!
- Built-in Controls
- Operates Remotely (4-20mA)



**INDUSTRIAL**

**HYGIENIC**



### PUMP OPTIONS

<b>Wetted Section</b>	Aluminum, SST, Poly, PVDF, Cast Iron, Hastelloy	SST
<b>Internals</b>	Same as AODD line	
<b>Connection type</b>	NPT, BSPT, ANSI Flange	Tri Clamp, DIN

### TECHNICAL SPECIFICATIONS

<b>Porting Size</b>	1" - 2"	1" - 4"
<b>Flow Range</b>	1 - 450 L/min	
<b>Working Pressure</b>	Up to 7 bar (100 psi)	
<b>Power</b>	240 VAC / 120 VAC, 1 Phase	
<b>Power Consumption</b>	Less than 15 Amps	


 EC 1935/2004
 

 II 2 G Ex db IIB T4 Gb

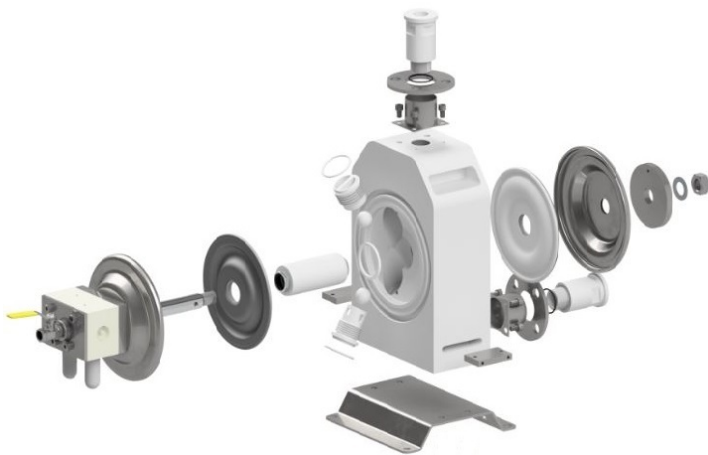
# MiniChem

- Air Operated Double Diaphragm pump in virgin PTFE.

**MiniChem** is designed for the safe transfer of aggressive chemicals and other hazardous liquids in Food-, Phamaceutical-, Chemical- and similar industries.

## Benefits of MiniChem - Electric Operated Double Diaphragm Pump?

- Machined from one solid block of PTFE - This means no manifold seals and therefore no potential leak paths!
- **ATEX certified** versions are available in both **FDA compliant** PTFE and anti-static PTFE.
- Optional **Diaphragm Rupture Protection** and fully pneumatic **Alarm Systems** are available.
- ‘One Nut’ technology for **easy maintenance** of Diaphragms, Ball Valves, Seats and Air Valve when pump ‘In Line’.
- Complete strip-down and re-build possible in less than 20 minutes.
- Flanged and threaded connections available in 1/2” and 1” size – so compatible with existing PTFE-lined pipework
- Dead-Head operation - stop/start against closed/open valve without pressure relief or damage.
- Dry running.
- Self Priming - suction lifts 2 m dry and 8 m wet
- Lubrication free



## PUMP OPTIONS

<b>Wetted Section</b>	virgin PTFE and PTFE (anti-static)
<b>Internals</b>	virgin PTFE and PTFE (anti-static)
<b>Connection type</b>	BSPT, NPT, ANSI & DIN flange

## TECHNICAL SPECIFICATIONS

<b>Porting Size</b>	1/2" - 1"
<b>Flow Range</b>	55 (1/2") - 450 (1") L/min
<b>Working Pressure</b>	Up to 7.2 bar (104 psi)



II 2 G Ex db IIB T4 Gb  
\*special version; compliant up to Gas Group IIC

## Mixers, Gear driven agitators

Standard Pumps Europe offers a range of mixers and agitators.

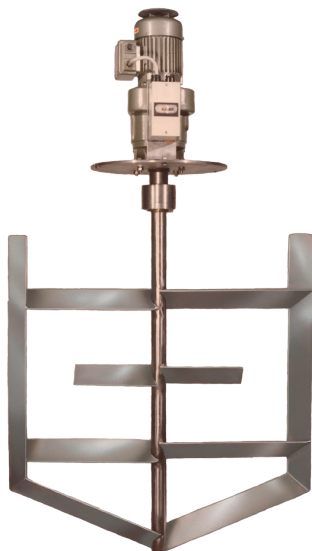
The reliable mixers are intended for e.g. chemicals and other media with water-like viscosity. The mixers are made of stainless steel versions coated with PP, PVC and / or PVDF to achieve the best chemical resistance.

A range of both standard gear-driven agitators and special designs for viscous media up to max. 6,000 mPas.

The different gear types come from leading German manufacturers, which ensures reliability and a high quality agitator.




- High Speed Mixers
- Gear Drive Agitators
- IBC Container Mixers
- Stands- & Lifting Equipment
- Agitator Elements
- Storage- & Dosing tanks
- Heating



# PURE PUMP

The Sanitary Line



Drum Pumps  
for Pharmaceuticals,  
Food Products and  
Personal Care

***Safety Comes Standard™***

**STANDARD PUMP**  
*Europe*

Rønnekrogen 2  
3400 Hillerød  
Denmark

Tel +45 7023 2100

[www.standard-europe.eu](http://www.standard-europe.eu)

Distributed By: